

# Patents, Designs, and Trade Marks

## SUPPLEMENT

TO THE

# NEW ZEALAND GAZETTE

OF

THURSDAY, JUNE 17, 1909.

Published by Authority.

WELLINGTON, THURSDAY, JUNE 17, 1909.

### CONTENTS.

	Page
Complete Specifications and Drawings open to Inspection .. .. .	1629
International and Intercolonial Arrangements for the Mutual Protection of Patents and Trade Marks ..	1630
Patent Publications in New Zealand .. .. .	1630
Books and Documents open to Inspection at Patent Office, Wellington .. .. .	1630
Books, Documents, &c., open to Inspection at Local Patent Offices, Auckland, Christchurch, and Dunedin ..	1631
Office for Registration of Copyright .. .. .	1631
Official Publications .. .. .	1631
Local Patent Offices .. .. .	1631
Applications for Letters Patent filed .. .. .	1631
Complete Specifications filed after Provisionals ..	1632
Complete Specifications accepted .. .. .	1633
Provisional Specifications accepted .. .. .	1636
Letters Patent sealed .. .. .	1636
Letters Patent on which Fees have been paid ..	1636
Subsequent Proprietors of Letters Patent registered ..	1637
Request for Correction of Clerical Error in Application for Letters Patent allowed .. .. .	1637
Application for Letters Patent opposed .. .. .	1637
Applications for Letters Patent abandoned ..	1637
Applications for Letters Patent void .. .. .	1637
Applications for Letters Patent lapsed .. .. .	1637
Letters Patent void .. .. .	1637
Designs registered .. .. .	1637
Designs expired .. .. .	1637
Applications for Trade Marks filed .. .. .	1637
Applications for Registration of Trade Marks ..	1638
Trade Marks registered .. .. .	1641
Subsequent Proprietors of Trade Marks registered ..	1642
Request for Correction of Clerical Error in Application for Trade Mark allowed .. .. .	1642
Trade Mark Renewal Fees paid .. .. .	1642
Application for Trade Mark opposed .. .. .	1642
Trade Marks removed from the Register .. .. .	1642

Complete Specifications and Drawings open to Inspection at Auckland, Dunedin, and Christchurch.

COPIES of the complete specifications and drawings advertised in the *Gazette* will be sent for public inspection to the

#### LOCAL PATENT OFFICES IN THE SUPREME COURT BUILDINGS

in the following towns on or about the dates mentioned:—

##### *Auckland.*

*Gazette* No. 51, of the 17th June. 23rd June to 7th July, inclusive.

##### *Dunedin.*

*Gazette* No. 51, of the 17th June. 13th July to 27th July, inclusive.

*Gazette* No. 45, of the 4th June. 30th June to 14th July, inclusive.

*Gazette* No. 41, of the 20th May. 15th June to 29th June, inclusive.

##### *Christchurch.*

*Gazette* No. 51, of the 17th June. 31st July to 14th August, inclusive.

*Gazette* No. 45, of the 4th June. 19th July to 2nd August, inclusive.

*Gazette* No. 41, of the 20th May. 3rd July to 17th July, inclusive.

*Gazette* No. 38, of the 6th May. 19th June to 3rd July, inclusive.

[NOTE.—The office can take no responsibility if from any cause the specifications are not so available.]

**International and Intercolonial Arrangements for the Mutual Protection of Patents and Trade Marks.**

**INTERNATIONAL CONVENTION.**

THE following countries now belong to the Convention:—

Australia.	Italy.
Belgium.	Japan.
Brazil.	Mexico.
Ceylon.	New Zealand.
Cuba.	Norway.
Denmark and Faroe Islands.	Portugal, with the Azores and Madeira.
Dominican Republic.	Servia.
France, with Algeria and Colonies.	Spain.
Germany.	Sweden.
Great Britain.	Switzerland.
Holland, with East Indian Colonies, Curaçoa, and Surinam.*	Tunis.
	United States of America.

\* Trade marks only.

Separate arrangements have been made between Australia and New Zealand.

Particulars of the Convention and of such arrangements may be seen in the following *Gazettes*:—

Notification of adherence of New Zealand to the Convention, with text thereof (in English), in the *Gazette* of 26th November, 1891; notification of adherence of New Zealand to the Additional Act of the Convention, with text (in English), of such Additional Act, in Patents Supplement to *Gazette* No. 101, of the 16th November, 1905; Order in Council applying section 103 of the Imperial Act to New Zealand, in *Gazette* No. 27, of the 15th May, 1890; Orders in Council containing arrangements between Australia and New Zealand, in Patent Supplements to the *Gazette* Nos. 22 of the 9th March, 1905, and 38 of the 20th April, 1905.

**Patent Publications in New Zealand.**

THE following publications relating to Patents for inventions, &c., are open to inspection in the Dominion:—

WELLINGTON.—PATENT OFFICE LIBRARY.

*United Kingdom.*

The full text of the specifications and complete drawings of inventions patented from the year 1617 up to the 4th March, 1909.

Classified illustrated abridgments of inventions from 1855 to 1906 and part of 1907.

Illustrated Official Journal, containing lists of recent applications, abridgments of inventions for which patents have been lately granted, patents void, &c., to May, 1909.

Index of Applicants.

Subject-matter Index.

Commissioner of Patents Journal, &c. (a).

Trade Marks Journal to March, 1909.

*Canada.*

Patent Office Record (containing illustrated abridgments of inventions, &c.) to November, 1908.

*Australia.*

The full text of the specifications and complete drawings in respect of applications accepted from the 11th January, 1906, to the 8th September, 1908, inclusive.

The Official Journal of Patents of the Australian Commonwealth (containing lists of applications for letters patent, abridgments of complete specifications accepted, &c.).

The Australian Official Journal of Trade Marks (containing lists of applications for registration of trade marks, &c.).

Specifications, drawings, abridgments, and indexes of Victoria, New South Wales, Queensland, and South Australia (b).

*United States.*

The full text of the specifications and drawings for the years 1905 and 1906.

The Official Gazette of the United States Patent Office (containing illustrated abridgments of specifications, &c.) to April, 1909.

*Mexico.*

The Official Gazette of the Patent and Trade Mark Office.

(a) Discontinued.

(b) In arrear. Not now being printed.

*General.*

La Propriété Industrielle (the official organ of the International Bureau of the Union for the Protection of Industrial Property).

Patent laws of the world.

Patent and Trade Mark Review.

Text-books and handbooks on patents and trade marks.

AUCKLAND.—PUBLIC LIBRARY.

*United Kingdom.*

Classified abridgments of inventions from 1855 to 1904. Illustrated Official Journal from 1897 to date.

*Canada.*

Patent Office Record (containing illustrated abridgments of inventions, &c.) from 1897 to date.

*Australia.*

The Official Journal of Patents from 1905 to date.

*United States.*

The Official Gazette of the United States Patent Office (containing illustrated abridgments of specifications, &c.) from 1885 to 1887 and 1890 to 1895.

CHRISTCHURCH.—PUBLIC LIBRARY.

*United Kingdom.*

Classified abridgments of inventions from 1855 to 1904. Illustrated Official Journal from October, 1905, to date.

*Canada.*

Patent Office Record (containing illustrated abridgments of inventions, &c.) from 1897 to date.

*Australia.*

The Official Journal of Patents from 1905 to date.

DUNEDIN.—PUBLIC LIBRARY.

*United Kingdom.*

Classified abridgments of inventions from 1855 to 1904. Illustrated Official Journal from October, 1905, to date.

*Australia.*

The Official Journal of Patents from 1905 to date.

**Books and Documents open to Inspection at Patent Office, Wellington.**

THE following documents and books are open to public inspection at the Patent Office:—

PATENTS.

(Fee for each search or inspection, not exceeding one hour, 1s.)

1. The files relating to all applications for letters patent in respect of which complete specifications have been accepted.
2. Classified copies of specifications and drawings, with index and key (a).
3. Register of Applications for Letters Patent.
4. Register of Patents.
5. Register of Subsequent Proprietors of Letters Patent (b).
6. Index of Patentees (c).
7. Index of Proprietors of Letters Patent granted prior to 1890 (d).
8. Index of Specifications (e).

DESIGNS.

(Search fee, 1s. each quarter of an hour.)

1. Register of Designs, with Index of Names of Proprietors.
2. Classified Representations of Designs in respect of which Copyright has expired.
3. Index of Designs.

(a) Key is in card index.

(b) This Register contains only names of subsequent proprietors of letters patent granted prior to 1st January, 1890; since that date they appear in Register of Patents.

(c) Includes all names of applicants, &c., and consists of four volumes to 4th November, 1903, and card index since that date. A separate card index is kept for current quarter.

(d) The names of proprietors of subsequent letters patent appear in the Index of Patentees.

(e) Contains classified abridgments of specifications from 1861, with extracts from drawings from July, 1904.

**TRADE MARKS.**

(Search fee, 1s. each quarter of an hour.)

1. The files relating to all applications for registration of trade marks.
2. Register of Applications for Registration of Trade Marks.
3. Register of Trade Marks.
4. Index of Applicants for Registration of Trade Marks<sup>(a)</sup>.
5. Index of Trade Marks.
6. Classified Representations of Trade Marks, with indexes.

**MISCELLANEOUS.**

Register of Patent Agents.

**FORMS AND PUBLICATIONS.**

The following forms, &c., may be had on application at the Patent Office, Wellington, or at any of the local Patent Offices named below:—

- Application for letters patent.
- Provisional specification.
- Complete specification and copy thereof.
- Application for registration of design.
- Application for registration of trade mark.
- Applications for extension of time.
- Requests by subsequent proprietor to enter name on Register of Patents and Trade Marks.
- Printed sheets of information as to fees and procedure to obtain letters patent and to register a trade mark<sup>(b)</sup>.
- Pamphlet containing Act and Regulations (price 1s.).

<sup>(a)</sup> Names of applicants for registration and proprietors of trade marks are indexed at the beginning of the Registers up to 31st December, 1889; in separate volume up to 5th September, 1904; and since the latter date in card index.

<sup>(b)</sup> May also be obtained at any local Patent Office or money-order office.

**Books, Documents, &c., open to Inspection at Local Patent Offices, Auckland, Christchurch, and Dunedin.**

**BOOKS**, documents, &c., open to inspection, and forms, &c., procurable, at the local Patent Offices at Auckland, Christchurch, and Dunedin.

**BOOKS, ETC., OPEN TO INSPECTION.**

Complete specifications and drawings of inventions. (Note.—One set of the specifications and drawings is sent, on acceptance, to Auckland, Christchurch, and Dunedin in succession, remaining fourteen days at each place, as advertised in the *Gazette*. Search fee, 1s. per hour.)

Classified abridgments of inventions from 1st January, 1908, to 31st March, 1909. (Search fee, 1s.)

Weekly lists of applications for patents up to and including those filed on Friday may be seen on the following Monday. (Search fee, 1s.)

- Name Index—Patents, 1861-1889. (Search fee, 1s.)
- Annual Reports, containing alphabetical lists of applicants and subject-matter indexes since 1890.
- Patents Supplement to the *New Zealand Gazette*.
- Patents, Designs, and Trade Marks Act and Rules.
- Acts and Rules of other countries.
- Australian Official Journal of Patents.

**FORMS, ETC., OBTAINABLE.**

The following forms, &c., may be obtained on application:—

- Applications for letters patent.
- Provisional specification.
- Complete specification, and copy thereof.
- Application for registration of design.
- Application for registration of trade mark.
- Applications for extension of time.
- Requests by subsequent proprietor to enter name on Register of Patents and Trade Marks.
- Printed sheets of information as to fees and procedure to obtain letters patent and to register designs and trade marks. Act and Regulations. (Price, 1s. 6d.)

**NOTE.**—The classified abridgments of the specifications and drawings of the United Kingdom may be seen in the Public Library of each of the above three principal towns. Other publications will be placed on file as soon as they are available.

**Office for Registration of Copyright.**

**THE** office for the registration of proprietorship of copyright in Fine Arts and Dramatic Works has been transferred to the Patent Office, Magistrate's Court Building, corner of Lambton Quay and Ballance Street, Wellington.

**Official Publications.**

**THE** following publications may be obtained from the Government Printer, Wellington:—

Printed specifications to the end of the year 1879. (Some of these are now out of print.)

Annual lists of letters patent and letters of registration applied for, and particulars of applications lapsed, and patents lapsed, from 1880 to 1893 inclusive. (The lists for the last four of these years are contained in the *Annual Reports of the Registrar*.)

Annual reports of the Registrar, containing alphabetical indexes of applicants for letters patent and of subject-matter of inventions patented from 1894 to 1907 inclusive.

The Patents Supplement to *Gazette* (containing notifications, applications for letters patent, abridged descriptions and drawings of inventions, &c.), published fortnightly.

Name Index of Patents, &c., 1861-1890. (Price, 1s.)

**Local Patent Offices.**

**L**OCAL Patent Offices for the reception of applications, supply of forms, &c., have been established at the following places:—

- Auckland—Supreme Court. (E. W. Cave, agent.)
- Whangarei—Courthouse. (W. J. Reeve, agent.)
- Thames—Courthouse. (J. Jordan, agent.)
- Waihi—Courthouse. (J. McIndoe, agent.)
- Hamilton—Courthouse. (H. J. Dixon, agent.)
- Gisborne—Courthouse. (G. J. A. Johnstone, agent.)
- New Plymouth—Courthouse. (J. Terry, agent.)
- Napier—Courthouse. (A. Trimble, agent.)
- Wanganui—Courthouse. (C. A. Barton, agent.)
- Taihape—Courthouse. (W. Baker, agent.)
- Palmerston North—Courthouse. (C. J. Hewlett, agent.)
- Maerterton—Courthouse. (M. Foley, agent.)
- Nelson—Courthouse. (E. C. Kelling, agent.)
- Blenheim—Courthouse. (F. W. Hart, agent.)
- Westport—Courthouse. (O. E. Bowling, agent.)
- Greymouth—Courthouse. (B. Harper, agent.)
- Hokitika—Courthouse. (J. N. Nalder, agent.)
- Christchurch—Supreme Court. (W. W. Samson, agent.)
- Ashburton—Courthouse. (J. Fitzgerald, agent.)
- Timaru—Courthouse. (T. W. Tayler, agent.)
- Oamaru—Courthouse. (A. A. Mair, agent.)
- Dunedin—Supreme Court. (T. E. Roberts, agent.)
- Clyde—Courthouse. (F. T. D. Jeffery, agent.)
- Gore—Courthouse. (G. H. Lang, agent.)
- Queenstown—Courthouse. (A. J. Thompson, agent.)
- Invercargill—Courthouse. (J. R. Colyer, agent.)

**Applications for Letters Patent filed.**

**L**IST of applications for Letters Patent filed. (Where a complete specification accompanies an application an asterisk is affixed; in all other cases a provisional specification has been lodged. In all cases where the applicant is not the inventor the name of the latter appears in italics after the title. † Denotes an application under the International and Intercolonial Arrangements.)

- No. 26001.—29th May.—W. McKenzie, Gore, N.Z.  
Whip-socket fastener.
- No. 26002.—1st June.—A. Pearse, London, Eng.  
Advertising-device.
- No. 26003.—1st June.—H. Knudsen and H. Barta, London, Eng.  
Typesetting-machine.\*
- No. 26004.—1st June.—D. Nable, Dulwich Hill, N.S.W.  
Saddle.
- No. 26005.—1st June.—J. C. Tyrrell and C. P. Jensen, Fitzroy, Vic.  
Railway-car, &c., lock.
- No. 26006.—1st June.—J. H. Mau, Ballarat, Vic.  
Cheese measurer and cutter.
- No. 26007.—1st June.—United Shoe Machinery Company, Paterson, U.S.A.  
Making dies. (A. Bates.)
- No. 26008.—1st June.—United Shoe Machinery Company, Paterson, U.S.A.  
Lasting, &c., machine. (W. A. Bond.)
- No. 26009.—1st June.—United Shoe Machinery Company, Paterson, U.S.A.  
Imitation-stitch machine. (A. C. Spencer and L. A. Casgrain.)

- No. 26010.—1st June.—United Shoe Machinery Company, Paterson, U.S.A.  
Boot, &c., assembling machine. (*K. Engel.*)
- No. 26011.—1st June.—A. A. Holle, Olst, Holland.  
Steam, &c., engine.\*
- No. 26012.—1st June.—A. H. Edwards and M. D. Rucker, London, Eng.  
Aeroplane.\*
- No. 26013.—9th June, 1908 †—F. Cotton, Hornsby, N.S.W.  
Fuel for heating furnaces.\*
- No. 26014.—2nd June.—A. Lyell, Wellington, N.Z.  
Apple parer and corer.
- No. 26015.—2nd June.—H. L. Cottrell and J. Brookes, Invercargill, N.Z.  
Sports-score indicator.
- No. 26016.—2nd June.—C. E. la G. C. Larmour, Wellington, N.Z.  
Vehicle-loading means.
- No. 26017.—1st June.—J. H. Hutchinson, Auckland, N.Z.  
Backing pole-wagons.
- No. 26018.—1st June.—J. H. Amies, Philadelphia, U.S.A.  
Paving-composition.\*
- No. 26019.—31st May.—N. McLean, Auckland, N.Z.  
Oven-tile.
- No. 26020.—2nd June.—E. Smethurst, Christchurch, N.Z.  
Obtaining samples of wool from bale.
- No. 26021.—4th June.—P. Keayes, Westport, N.Z.  
Pencil-clip.
- No. 26022.—4th June.—W. E. Chamberlain and F. H. Croucher, Feilding, N.Z.  
Sealing mail-bags, &c.
- No. 26023.—4th June.—C. G. Kelly, Petone, N.Z.  
Coupling-cock.
- No. 26024.—4th June.—J. B. Allen, Auckland, N.Z.  
Fire-lighter.
- No. 26025.—4th June.—J. W. Brownlee, Havelock, N.Z.  
Saw-bench feed gear.\*
- No. 26026.—5th June.—E. Rolfe, Sydney, N.S.W.  
Composition for preventing decay of teeth.\*
- No. 26027.—5th June.—G. Crow, Linton, N.Z.  
Flax-treatment.
- No. 26028.—2nd June.—D. H. Edgar, Timaru, N.Z.  
Saddlecloth.
- No. 26029.—2nd June.—A. Walker and M. W. Marriage, Dunedin, N.Z.  
Grit-mill.
- No. 26030.—2nd June.—A. Morris, Dunedin, N.Z.  
Water-motor.
- No. 26031.—2nd June.—J. S. Agnew, Dunedin, N.Z.  
Tea-strainer.
- No. 26032.—2nd June.—G. A. McGregor, Dunedin, N.Z.  
Fuel feed and combustion chamber. (*J. McGregor.*)
- No. 26033.—4th June.—J. Lindsay, Dunedin, N.Z.  
Tobacco-pipe valve.\*
- No. 26034.—21st December, 1908 †.—T. Williams, London, Eng.  
Cutting-plate for meat-cutters.\*
- No. 26035.—7th June.—O. Bredehorst, Wellington, N.Z.  
Animal-cover.\*
- No. 26036.—7th June.—J. D. Jensen and C. E. Holland, Kākōura, N.Z.  
Shirt-collar.
- No. 26037.—7th June.—T. Ballinger and Co., Wellington, N.Z.  
Acetylene-generator.\* (*A. Fischer.*)
- No. 26038.—7th June.—F. Gough, Hokitika, N.Z.  
Perambulator foot-warmer.
- No. 26039.—7th June.—E. Walker, Christchurch, N.Z.  
Clothes-peg.
- No. 26040.—16th February † — A. W. Carpenter, London, Eng.  
Tire-manufacture.\*
- No. 26041.—8th June.—D. R. Chalmers, Papakāia, N.Z.  
Swingletree.
- No. 26042.—8th June.—S. H. Ramsbotham, Ohau, N.Z.  
Acetylene-generator.
- No. 26043.—8th June.—J. R. Redstone, Gisborne, N.Z.  
Horse-drench.\*
- No. 26044.—7th June.—J. Riddles and G. Metcalf, New Plymouth, N.Z.  
Inner-tube covering for tire.
- No. 26045.—7th June.—I. Moscicki, Freiburg, Switz.  
Treating gases or vapours by liquids.\*
- No. 26046.—7th June.—G. Walker, Tuakau, N.Z.  
Fibre polishing and drying.\*
- No. 26047.—7th June.—H. Droutledge, Auckland, N.Z.  
Tea-cup.
- No. 26048.—9th June.—O. A. Miller Treeing Machine Company, Portland, U.S.A.  
Heating tools electrically. (*J. Oertly, C. F. Dudley, and J. S. Hansen.*)
- No. 26049.—9th June.—F. G. Gibbs, Halswell, N.Z., and W. J. Bowman, Christchurch, N.Z.  
Chaff-cutter, &c., knife-sharpener.
- No. 26050.—9th June.—E. Thorn, Kumara, N.Z.  
Fastenings of children's knickerbockers.
- No. 26051.—15th October, 1908 † — J. A. Munro and G. R. Gluyas, Melbourne, Vict.  
Vehicle spring.\*
- No. 26052.—8th June.—A. E. Maxwell, Westport, N.Z.  
Hollow concrete wall.
- No. 26053.—10th June.—W. J. H. Greensill, Wharehunga, N.Z.  
Preserving-jar.
- No. 26054.—10th June.—V. A. M. M. H. T. Plunket, Wellington, N.Z.  
Perambulator-shade.\*
- No. 26055.—10th June.—H. A. Mason, Lower Hutt, N.Z.  
Pipe-stop.\*
- No. 26056.—10th June.—H. Brown, Wellington, N.Z.  
Broom and brush rack.
- No. 26057.—10th June.—A. Greene, Masterton, N.Z.  
Stopping and steering vessels.
- No. 26058.—11th June.—A. E. Panting, Wellington, N.Z., R. G. Huswick, Cheviot, N.Z., and G. H. Scott, Wellington, N.Z.  
Motor-vehicle wheel.
- No. 26059.—2nd March.—A. Anderson, Albion, Q.  
Deodorant-distributor.\*
- No. 26060.—11th June.—M. G. C. Dodwell, Wellington, N.Z.  
Tire.
- No. 26061.—9th June.—H. P. W. Esping, Nassjo, Sweden.  
Raising liquids.
- No. 26062.—10th June.—M. W. Lane, Auckland, N.Z.  
Rotary machine.
- No. 26063.—12th June.—A. H. Hansen, Manaia, N.Z.  
Furnace-grating.
- No. 26064.—12th June.—S. J. Smith and G. P. Montagu, Vancouver, B.C.  
Razor-hone.\*
- No. 26065.—12th June.—J. Fraser, C. Jumeaux, Auckland, N.Z., and S. E. Fraser, Waihi, N.Z.  
Vessel's-course recorder.
- No. 26066.—11th June.—F. M. Allan, Dunedin, N.Z.  
Cement-kiln.
- No. 26067.—11th June.—W. Beamish, Hastings, N.Z.  
Cigar-mouthpiece.\*
- No. 26068.—9th June.—G. Pettigrew, Reefton, N.Z., and W. P. Hambleton, Greymouth, N.Z.  
Land-reclaimer while dredging.
- No. 26069.—14th June.—C. H. Scales, Christchurch, N.Z.  
Castor.
- No. 26070.—11th June.—G. Hall, Lepperton, N.Z., and I. A. Worthington, Waitara, N.Z.  
Making reinforced-concrete fencing-posts.\*
- No. 26071.—11th June.—C. E. Wallder, Hawthorn, Vic., and H. M. Ashton, Coburg, Vic.  
Instrument for skinning carcasses, &c.\*
- No. 26072.—14th June.—W. Bassett, Christchurch, N.Z.  
Tea-cup.
- No. 26073.—C. W. Clayton, Wanganui, N.Z.  
Bed.

---

**Complete Specifications filed after Provisionals.**

---

**L**IST of complete specifications filed after provisional specifications, from the 1st to the 14th June, 1909, inclusive:—

- No. 24793.—J. Pomeroy, steam-boiler furnace.  
No. 24861.—F. C. Brown, ore-treatment.  
No. 24891.—A. F. Kinney, sheep-dipping.  
No. 24895.—G. R. Rowe and W. Stenhouse, electro-surgical appliance.  
No. 24915.—T. Barton, easy chair.  
No. 24928.—R. Walker, milk, &c., strainer.  
No. 24932.—United Shoe Machinery Company, sewing-machine. (*A. Eppler.*)  
No. 24933.—United Shoe Machinery Company, work-support horn for boot-machine. (*A. E. Jerram, J. Gouldbourn, and A. Bates.*)  
No. 25206.—J. Lomas, apple-grader.  
No. 25393.—W. J. McDonald and J. Hopkirk, milk-agitating appliance.  
No. 25861.—R. Waite, gas-generator.

## Notice of Acceptance of Complete Specifications.

## Patent Office.

Wellington, 16th June, 1909.

COMPLETE specifications relating to the undermentioned applications for Letters Patent have been accepted, and are open to public inspection at this office. Any person may, at any time within two months from the date of this *Gazette*, give me notice in writing of opposition to the grant of any such patent. Such notice must set forth the particular grounds of objection, and be in duplicate. A fee of 10s. is payable thereon.

No. 24677.—17th July, 1908.—THOMAS RITCHIE and CHARLES SYDNEY BONE, both of Heretaunga Street, Hastings, New Zealand, Plumbers. An improved acetylene-gas generator.\*

*Claims.*—(1.) An acetylene-gas apparatus comprising the combination, with a water-tank and bell, of a generator having a pivoted false bottom supporting a charge of calcium carbide, substantially as set forth. (2.) An acetylene-gas apparatus comprising the combination, with a water-tank and bell, of a nozzle attached to the bell, a water-supply tank connected to the nozzle by a flexible pipe, and fixed at a height corresponding approximately to the highest position to which the nozzle is raised by the bell, a funnel located vertically below the nozzle, a pipe formed into a water-seal and connecting the funnel to the generator, substantially as set forth.

[NOTE.—Here follow eight other claims.]

(Specification, 8s. ; drawing, 2s.)

No. 24886.—4th September, 1908.—CYRIL E. GANE, of Normanby, New Zealand. Automatically releasing milk from a vacuum for milking-machines.\*

*Extract from Specification.*—A tipping frame upon which a pair of cans are mounted so that, as the frame tips, one can will be raised and the other lowered, and *vice versa*. These cans and frame are arranged below the main milk-pipe, and so as to rock or tip transversely therewith. The milk-pipe is broken away, and its ends are arranged to butt at right angles against pipe connections leading into the tops of the respective cans, and so arranged that the raised can will be in full communication with such pipe so that the vacuum will act through it and draw the milk into it, while the other can is cut off from the pipe and opened to the atmosphere. The raised can drops when it becomes filled with milk, and as it does so it is automatically cut off from the pipe, while the other can, as it rises, is automatically placed in communication with such pipe, so that the milk will flow into it in turn. Each can is provided with a gravity valve in its bottom, which is adapted to automatically open when the can is lowered and to close when the can is raised. Thus, as the filled cans drop, the valves will open, so that the milk will flow into a suitable receptacle placed beneath to receive it. These operations are then continued, each can as it is filled dropping and opening its outlet-valve, while raising the other can and closing its outlet-valve, in order that it may in turn be filled.

[NOTE.—The above extract from the specification is inserted in place of the claims.]

(Specification, 7s. ; drawing, 1s.)

No. 25124.—20th October, 1908.—JOHN GERALD O'BRIEN, of Wanganui, New Zealand, Plumber. An economic gas-stove boiler.

*Extract from Specification.*—The boiler A is shaped preferably as shown in drawing, so that it can be placed over the oven B on the stove C, and under the boiling and grilling gas-jets, though the boiler may be given any other suitable shape that will permit it to be fitted in the same place. Two handles D are fixed to the boiler A to provide the means for lifting it as may be required. A filling-eye E is fixed to boiler A, through which water, as wanted, can be poured into the boiler, and a tap F is provided for drawing off the water when hot.

[NOTE.—The above extract from the specification is inserted in place of the claims.]

(Specification, 2s. ; drawing, 1s.)

No. 25211.—12th November, 1908.—JOHN KANNULUIK, of 308-310 Queen Street, Melbourne, Victoria, Australia, Cabinetmaker. Improvements in automatically drawing off fumes or gases from water, earth, or pan closets and urinals while in use.

*Claims.*—(1.) The described method for automatically drawing off fumes or gases from water, earth, or pan closets and urinals while in use, consisting in automatically creating an updraft by means of a siphon, jet of gas, or other heating agent, fan or other contrivance, by the depression of the seat of the closet, or of a platform mounted in a convenient position on the floor in the front of said closet or urinal, substantially as and for the purposes specified.

[NOTE.—Here follow four other claims.]

(Specification, 6s. 6d. ; drawing, 2s.)

No. 25342.—14th December, 1908.—HENRY BROADBENT, of Dunedin, New Zealand, Toy-manufacturer. An improved folding-chair.

*Claim.*—In folding-chairs of the class described, connecting each of the arm-rests at its inner end to the upper portion of the corresponding diagonal member by means of a pin passing through a slot formed longitudinally in the arm-rest, substantially as and for the purposes specified.

(Specification, 1s. 9d. ; drawing, 1s.)

No. 25343.—22nd August, 1908.—THOMAS McDONOUGH, of 42 Smith Street, Collingwood, Victoria, Australia, Warehouseman. Improvements in and connected with a combined wool-scouring and drying machine.

[NOTE.—This is an application under the International and Intercolonial Arrangements, the date given being the official date of the application in Australia.]

*Extract from Specification.*—The primary object of the invention is to provide efficient means whereby the removal of dirt and sediment deposited from the wool scoured may be removed from the tanks or vats without necessitating the cessation of scouring operations therein, and in such a manner that such deposited dirt required to be removed is cut off from the liquid to be still employed in the continuance of the operations. Further improvements comprised in the invention relate to a novel form of immersing-apparatus operating at and within the delivery end of the machine; improved means for actuating the rakes; the introduction of air at pressure to the cleansing-liquid contained in the scouring tank or tanks for the purpose of materially assisting in the disintegration of dirt from the wool being treated, and also for savonizing the liquid and assisting in the maintaining of the same at a desired temperature; and the embodiment in the drying-chamber of features for the better dehydration of the wool when delivered or conveyed thereto from the scouring tank or tanks.

[NOTE.—The above extract from the specification is inserted in place of the claims.]

(Specification, £1 1s. 6d. ; drawing, 5s.)

No. 25386.—24th December, 1908.—HENRY ANGUS NICHOLSON, of Otautau, New Zealand, Engineer. Improvements in or relating to the beating-bars of flax-dressing machines.

*Extract from Specification.*—According to this invention, the ends of the bar are caused to project beyond the outside faces of the respective chairs, and are placed in slide brasses or bearings. These brasses are mounted within the slides of pivotally supporting brackets, which brackets are caused to normally swing inwards towards the drum by means of springs or weights. Thus the beating-bar will also be carried in with the brackets.

[NOTE.—The above extract from the specification is inserted in place of the claims.]

(Specification, 2s. ; drawing, 1s.)

No. 25401.—29th October, 1908.—JOHANNES JACOBUS LOKE, of Nieuwe, Parklaan, 179 Scheveningen, Holland, Sub-Manager of the Movement and Traffic Department of the Government Railway of Java. Improvements in and in the manufacture of tiles, slabs, or other finished products of hard material.

[NOTE.—This is an application under the International and Inter-colonial Arrangements, the date given being the official date of the application in Great Britain.]

*Extract from Specification.*—The invention consists in subjecting the titaniferous iron-sand or titaniferous iron-ore, mixed or not, with a certain quantity of silica, limestone, or other additional material—for instance, titaniferous slag or gangue—to such a degree of heat as to melt it, and then allowing the molten metalliferous compound to run into suitable moulds, the combined iron-oxide, titanite oxide, and silica particles being preferably first separated from the gangue by suitable means. The invention also consists in tiles, slabs, and other finished products of hard material prepared from a mixture which contains a high percentage of iron-oxides, titanite oxides, and silica.

[NOTE.—The above extract from the specification is inserted in place of the claims.]

(Specification, 4s. 6d.)

No. 25592.—23rd February, 1909.—JESSE JOB WILTON, of Masterton, New Zealand, Farmer. An improved appliance for use in picking fruit.

*Extract from Specification.*—The means devised consist of a pair of cup-shaped jaws that are hinged together with their rims adjacent to each other in such a manner as to be capable of opening to allow of them being passed over the fruit to be picked, and then closing together so as to grip the stalk between the rims. One of these jaws is fixed to the end of a handle-bar of any desired length, while the other jaw is connected, by means of a link, with a rod that is mounted in guides upon the handle-bar in such a manner as to be free to slide to and fro thereon.

[NOTE.—The above extract from the specification is inserted in place of the claims.]

(Specification, 2s. 9d. ; drawing, 1s.)

No. 25663.—12th March, 1908.—RICHARD BOWEN, of Evesham Road, Cheltenham, Gloucester, England, Cement Specialist and Engineer. Apparatus to be employed in building walls of concrete or the like.

[NOTE.—This is an application under the International and Inter-colonial Arrangements, the date given being the official date of the application in England.]

*Claims.*—(1.) In apparatus to be employed in building walls of concrete or the like, the combination of a permanently used mould-end having a base by which it is supported on a lower course of work, mould-sides pivoted to said base by vertical pivots and capable of being moved thereon in a horizontal plane, a temporary end, and means for clamping the sides upon the ends and work. (2.) The construction of apparatus as above claimed with mould-sides deeper and longer than the blocks to be moulded on the second and upper courses of work, said mould-sides and permanently used end being adapted to enclose a moulding-space bounded on the bottom and one end by the work done, and to grip a part of the last-moulded block and a part of the next lower course of work.

[NOTE.—Here follow five other claims.]

(Specification, 9s. 6d. ; drawing, 3s.)

No. 25723.—23rd March, 1909.—ALBERT JONAS DAY, of 101 Kilmore Street, Christchurch, New Zealand, Brass-moulder. An improved cinder-sifter.

*Claims.*—An improved cinder-sifter comprising, in combination, a box having a hinged lid, lugs fixed to the sides of the box and in the interior thereof, a tray supported by the lugs and by a handle passing through a gap in the box, a bottom of wire-mesh or the like to the tray, and an outlet at the bottom of the box, substantially as set forth. (2.) The combination and arrangement of parts comprising the improved cinder-sifter, substantially as and for the purposes set forth, and illustrated in the drawing.

(Specification, 2s. ; drawing, 1s.)

No. 25884.—8th May, 1908.—ARTHUR REGINALD ANGUS, of Barry Street, Neutral Bay, New South Wales, Australia, Solicitor. Improvements in and relating to devices for preventing collisions between railway-trains.

[NOTE.—This is an application under the International and Inter-colonial Arrangements, the date given being the official date of the application in Australia.]

*Extract from Specification.*—This invention consists in part of appliances affixed to or placed on or about or adjacent to the permanent-way or railway-track, and in part of appliances which may be affixed or placed on or about the locomotive or train, or either or both, or any part thereof.

[NOTE.—The above extract from the specification is inserted in place of the claims.]

(Specification, £2 ; drawing, 3s.)

No. 25890.—28th April, 1909.—MONOTYPE MACHINE (COLONIAL PATENTS) SYNDICATE, LIMITED, of 43 Fetter Lane, London E.C., England (assignee of John Sellers Bancroft and Mauritz C. Indahl, of Philadelphia, United States of America, Engineers). Improvements in justifying-mechanism for pattern-controlled composing-machines.

*Extract from Specification.*—In a companion application there is disclosed a novel method or system of dealing with the problem of automatic justification as applied to pattern-controlled automatic composing-machines, wherein and whereby the pattern or record-strip is provided with line-deficiency and space-number signals, and the automatic composing-mechanism is equipped with apportioning and distributing devices controlled by said line-deficiency and space-number signals, and operating to automatically distribute the line-deficiency among the indicated spaces as the latter are produced. The present invention relates to improvements in the apportioning and distributing mechanism for an automatic composing-machine of the kind indicated, and includes the several novel combinations, constructions, arrangements, and adaptations of parts.

[NOTE.—The above extract from the specification is inserted in place of the claims.]

(Specification, £2 ; drawing, 11s.)

No. 25894.—27th April, 1909.—HAMILTON MCMURDIE, of 40 High Street, Windsor, Victoria, Australia, Importer (assignee of Wilhelm Bartholdt Didrick Punninghaus, of 26 Nottingham Street, Prahran, Victoria, Australia, Machinery Importer). An improved appliance for feeding boilers.

*Extract from Specification.*—According to this invention, in the casing adjoining the boiler, steam is admitted by a water-and-steam-controlling mechanism, hereinafter described, and which mechanism is actuated by a float. Upon the water and float falling to a low level, admittance of steam is cut off, and the steam in the casing allowed to escape through the mechanism aforementioned, and become condensed as described. A partial vacuum is formed by the condensation inside the said casing, and feed-water enters. The float rising with the water operates the mechanism, allowing steam from the boiler to again enter the casing and force the water into the said boiler. The appliance is simple in construction, has but few parts, is not liable to derangement, and can be easily repaired when occasion requires. In addition to the foregoing, it is easily installed, calls for no special attention, and will act under any pressure of steam. By slight modifications it may be used for portable traction, or other more rapidly travelling prime movers.

[NOTE.—The above extract from the specification is inserted in place of the claims.]

(Specification, 12s. 6d. ; drawing, 2s.)

No. 25898.—30th April, 1909.—ADOLPH GUSTAV BECKMAN, of 323 South Mount Street, Baltimore, Maryland, United States of America, Broker. Fluid-pressure regulators.

*Claims.*—(1.) In a fluid-pressure regulator, a tubular casing comprising two parts detachably fitted together, said parts having partitions provided with central guide-openings, and openings for the passage of the fluid, one of said parts having also a valve-seat, a valve-stem movable in said guide-openings, a valve on said stem of smaller diameter than the diameter of the adjacent wall of the casing, so as to provide an annular space for the flow of fluid around the periphery of the valve, said valve having its outlet side

dished or concave, and having an annular surface adapted to engage said seat, and having also a series of perforations extending from its periphery to its concave side, a spring arranged to hold said valve away from its seat, and a stop arranged to hold the valve away from the openings in the partition at the inlet side of the casing.

[NOTE.—Here follow three other claims.]

(Specification, 6s. ; drawing, 1s.)

No. 25899.—1st May, 1909.—ALEXANDER STORRIE, of Invercargill, New Zealand, Engineer and Implement-maker. Improvements in milking-machinery.

*Extract from Specification.*—The object of the invention is to produce some of the parts in milking-machinery of the variety that can be worked with only one vacuum, that any foreign substances are entirely kept from contaminating the milk; and, in addition, I have provided means of regulating the speed of the motor that drives the pulsator, and a simple instantaneous release for the teat-cups when a given animal has been milked, which is known by observing the observation glass under the tap, through which the milk can be seen passing, so that when shutting off the tap a small duct allows air to enter and brake the vacuum, which allows the teat-cups to fall away. All the mechanism is so enclosed that dust, &c., is excluded, but every part is easily got at for inspection or repair. My teat-cups also are of very simple make. For these purposes I form a special motor, preferably worked by the usual vacuum (which, though partial, is herein called vacuum), and it is obvious that if pressure were applied to the other end the result in working would be the same, as both actions are merely a difference in pressure. This motor is composed of a cylinder in which is a piston, rods, and a pulsator, together with a vacuum-chamber, and also a pulsating-chamber, preferably placed in a line with the said cylinder, the whole placed in a convenient place, such as the lid of a can, &c. The necessary tubes used in milking by vacuum are attached, and I prefer to have a special tube for ensuring that all dirt, &c., be kept from contaminating the milk. The speed is regulated by a screw to any desired number of pulsations per minute, the said screw regulating the passage of the rarified air passing through ports, which the screw may be made to partly or wholly blind.

[NOTE.—The above extract from the specification is inserted in place of the claims.]

(Specification, 7s. ; drawing, 1s.)

No. 25910.—5th May, 1909.—HAROLD CHARLES L'OSTE ROLFE, of the Equitable Buildings, Collins Street, Melbourne, Australia, Manufacturer. An improved metal post for wire fences.

*Claims.*—(1.) The described fence-post comprised of the combination of the two triangular-shaped sections having two longitudinal flanges provided on each section to interlock said sections together, as described and as illustrated.

[NOTE.—Here follows one other claim.]

(Specification, 2s. ; drawing, 1s.)

No. 25922.—8th May, 1909.—EDWARD JAMES DECK, of Waihi, Auckland, New Zealand, Surgeon. An improved legging.

*Claims.*—(1.) The improved legging formed of waterproof material, shaped to slip on to the leg of the wearer, and to extend over the boot-instep, and formed with an opening extending upwards from its bottom edge, provided with a strap extending from one side of such opening across the other edge and round the front of the legging, and with a buckle in which the end of such strap is fastened, substantially as specified. (2.) The improved legging substantially as described and explained, and as illustrated in the drawings.

(Specification, 2s. ; drawing, 1s.)

No. 25930.—11th May, 1909.—JAMES BATHE MORTON BARNES, B.A., of Wellington, New Zealand, Universalist Minister (assignee of Henry Sedgwick Harrod, of Shakespeare Road, Napier, New Zealand). An improved means for use in testing the temperature of baled goods.

*Extract from Specification.*—According hereto, the testing-tube containing the thermometer is attached to the lower end of a rack guided in a dovetailed groove, provided in a frame adapted to stand upon the bale in a vertical position. A toothed pinion fixed upon a spindle journaled in bearings upon the upper end of the frame gears with the rack. The

spindle terminates in a handle, which upon being operated causes the rack to be either raised or lowered according to the direction of rotation, and the tube thereby forced into the bale or withdrawn from it. Chains, or their equivalent, are attached at one end to the base of the frame, and have hooks provided upon their other ends adapted to engage the side of the bale, thus preventing the frame from lifting when in operation.

[NOTE.—The above extract from the specification is inserted in place of the claims.]

(Specification, 3s. 3d. ; drawing, 1s.)

No. 25931.—11th May, 1909.—ALEXANDER WALTER PARTON, of 32 Pirie Street, Wellington, New Zealand, Plumber. An improved apparatus for use in cleansing clothes and the like by means of steam.

*Extract from Specification.*—According to my invention, a vessel or receptacle is provided with a perforated removable false bottom, which supports the clothes; the remainder of the vessel below this false bottom contains the water that is used in generating the steam, which may be heated in any ordinary manner. Soap, preferably soft-soap, is added to the water to give the steam greater cleansing properties. The steam passes up through pipes into the upper part of the vessel.

[NOTE.—The above extract from the specification is inserted in place of the claims.]

(Specification, 6s. ; drawing, 2s.)

No. 25932.—11th May, 1909.—FREDERICK HAROLD ANDREWS, of 216A Lambton Quay, Wellington, New Zealand, Engineer, and GEORGE HAMILTON WILKIN, of the same address, Engineer. Means for producing geometrical figures or diagrams for various purposes.

*Extract from Specification.*—A rod provided at one end with a comparatively short member at right angles to the said rod, this member being adapted to engage one of the holes in the disc. The other end of the rod passes freely through a hole in a stud adapted to engage in any one of a row of holes provided in the base-plate. Upon this rod is mounted an arm or arms carrying at its outer end an ink-duct or other means for describing or drawing the diagram or design. Another disc of soft material, preferably wood, to which the material upon which the diagram is being produced may be fastened, and is pivoted horizontally in the base-plate in a position most suitable to the gyrations of the ink-duct. The discs are both rotated by a belt or cord driven by any suitable means.

[NOTE.—The above extract from the specification is inserted in place of the claims.]

(Specification, 4s. 3d. ; drawing, 1s.)

No. 25953.—14th May, 1909.—GEORGE WALKER, of Tuakau, Auckland, New Zealand, Gentleman. An improved automatic flax-dressing machine.

*Claims.*—(1.) The improved automatic flax-dressing machine consisting, in combination, of an endless chain with slats fitted thereto, said chain being moved by chains or belts and wheels, slats fitted to said chain passing through, over, and under jets of water, hot or cold, gelatinised benzine, heated air, rollers, vacuum-cleaners, flanged and jockey pulleys, brushes or combs, and said rollers being revolved by means of endless chains, belts, and pulleys, in the manner and for the purpose set forth, as described and illustrated. (2.) In the improved automatic flax-dressing machine specified, the double endless chain having slats attached thereto in the manner and for the purpose set forth, as described and illustrated.

(Specification, 3s. 9d. ; drawing, 1s.)

No. 25960.—20th May, 1909.—JOHN SYVRET, of 215 Rose Street, Darlington, New South Wales, Australia, Engineer. Improvements in closets.

*Extract from Specification.*—Its essential feature consists of a sliding tray provided for this purpose, actuated by the movement of a hinged seat.

[NOTE.—The above extract from the specification is inserted in place of the claims.]

(Specification, 3s. 6d. ; drawing, 2s.)

No. 25974.—11th May, 1909.—HARRY AKHURST, of River-ton, New Zealand, Draper. Improvements in brushes.

*Claim.*—A reversible-handled brush, characterized by the stock having a longitudinal groove therein, between the projecting edges of which the handle is normally secured by a central screw adapted to be loosened to enable the handle to be reversed.

(Specification, 1s. 6d.; drawing, 1s.)

No. 25975.—1st June, 1908.—ENRIQUE JOHN SOLANO, of 4 Park Lane, London, England, Author. Improvements in and relating to moving targets.

[NOTE.—This is an application under the International and Inter-colonial Arrangements, the date given being the official date of the application in Great Britain.]

*Claims.*—(1.) The improved realistic target comprising the combination of a sloping surface made to represent a landscape by printing, modelling, or otherwise, a number of independent travelling and disappearing target devices mounted on the sloping surface so as to be hidden from view, and means whereby the devices may be separately or collectively operated from the firing-line, substantially as and for the purposes set forth.

[NOTE.—Here follow three other claims.]

(Specification, 10s. 6d.; drawing, 2s.)

No. 25977.—26th May, 1909.—HENRY FENTON, of 6 James Avenue, Glebe Point, near Sydney, New South Wales, Australia, Salesman. Improvements in heels of boots and the like.

*Extract from Specification.*—These improvements in heels of boots and the like comprise a recess in the underface of the heel having inwardly chamfered or undercut parallel edges, forming a slide, with both ends stopped, and one of these stopped ends adapted to permit easy entry of a filling-piece.

[NOTE.—The above extract from the specification is inserted in place of the claims.]

(Specification, 4s. 6d.; drawing, 1s.)

An asterisk (\*) denotes the complete specification of an invention for which a provisional specification has been already lodged.

NOTE.—The cost of copying the specification and drawing has been inserted after the notice of each application. An order for a copy or copies should be accompanied by a post-office order or postal note for the cost of copying.

The date of acceptance of each application is given after the number.

Extracts from the drawings accompanying the foregoing complete specifications appear at the end of this *Gazette*.

J. C. LEWIS,  
Registrar.

#### Provisional Specifications accepted.

Patent Office,  
Wellington, 16th June, 1909.

APPLICATIONS for Letters Patent, with provisional specifications, have been accepted as under:—

- No. 25485.—E. McPartland, dust-pan.
- No. 25767.—A. J. Bert, advertising method. (C. J. Bert.)
- No. 25921.—R. Carruthers, milk-can.
- No. 25923.—G. J. Cullen, gate or door hinge.
- No. 25928.—F. W. Payne, railway-train air-brake apparatus.
- No. 25929.—R. Beattie and G. Croxford, snow-board.
- No. 25934.—E. Taylor, clothes-drier.
- No. 25971.—L. M. Wilton, drying crockery, &c.

[NOTE.—Provisional specifications cannot be inspected, or their contents made known by this office in any way, until the complete specifications in connection therewith have been accepted.]

#### Letters Patent sealed.

LIST of Letters Patent sealed from the 27th May to the 12th June, 1909, inclusive:—

- No. 23749.—J. S. Dreadon, grindstone.
- No. 23768.—G. C. Munns, water-sprayer.
- No. 23831.—J. Humphreys and W. Willis, draught, &c., excluder.
- No. 23972.—A. R. H. Swindley, compass.
- No. 24011.—W. M. Orr, dredge-ladder roller.
- No. 24012.—E. Clemens Horst Company, hop picker and separator. (E. C. Horst.)
- No. 24041.—N. A. Booth, window-sash fastener.
- No. 24042.—J. R. Noble and F. C. Brown, tube, &c., mill-feeding method.
- No. 24048.—V. S. Aston, fibre-bleaching process.
- No. 24056.—W. Cutler, boat steering and propelling.
- No. 24066.—R. Tacon, spark-arrester.
- No. 24067.—W. E. Kinnerney, fire-extinguisher.
- No. 24262.—A. C. Anderson, weight-indicating apparatus.
- No. 24536.—C. Eason, table.
- No. 24657.—J. Marks, turbine.
- No. 24744.—New Zealand Acetylene Gas Lighting Company, Limited, acetylene-generator. (H. P. Desmoulins.)
- No. 24851.—J. E. Heys, egg-carrier.
- No. 25112.—J. A. Harriss, mail receiving and delivering apparatus. (J. S. Lanier.)
- No. 25154.—M. Tillie, buttonhole-machine attachment.
- No. 25348.—J. Waechter-Gerber, vacuum-cleaning apparatus.
- No. 25349.—H. Thomas, meat-slicing machine.
- No. 25370.—A. T. W. Allan and A. R. Rann, portable roller-mill.
- No. 25398.—Patent Hydrocarbon, Limited, treatment of hydrocarbon oils, &c. (J. Noad.)
- No. 25421.—F. T. A. Jackson, shirt-collar.
- No. 25443.—W. A. van Berkel, meat-slicing machine.
- No. 25486.—W. Morton, metal-joints for wood-framing.
- No. 25512.—J. F. Studholme, rotary-engine.
- No. 25531.—A. Reeves, chimney-top.
- No. 25532.—J. E. Tatham, needle-holder.
- No. 25582.—W. Turnbull, water-closet, &c., flusher.

#### Letters Patent on which Fees have been paid.

[NOTE.—The dates are those of the payments.]

#### SECOND-TERM FEES.

- No. 19518.—R. Paladini, mail-bag fastener. 10th June, 1909.
- No. 19558.—Booth, Macdonald, and Co., Limited, plough-wheel bearing. (W. Brew.) 4th June, 1909.
- No. 19573.—C. J. Johnson and J. Carlaw, smoke-consumer, &c. 7th June, 1909.
- No. 19600.—G. Adcock, water-heater. 4th June, 1909.
- No. 19668.—Mergenthaler Linotype Company, linotype-machine. (F. E. Bright.) 2nd June, 1909.
- No. 19711.—C. E. L. Brown, propulsion of vessels. 8th June, 1909.
- No. 19713.—Hon. C. A. Parsons, valve-controller. 8th June, 1909.
- No. 19714.—Hon. C. A. Parsons, valve. 8th June, 1909.
- No. 19726.—The British Westinghouse Electric and Manufacturing Company, Limited, railway, &c., magnetic brake. (J. P. Campbell—R. Brauu.) 8th June, 1909.
- No. 19757.—Hon. C. A. Parsons, high vacua production. 8th June, 1909.
- No. 19784.—F. Palliser, septic tank. 12th June, 1909.
- No. 19856.—B. S. and J. H. Nicholls and C. A. Bennett, boiler. 10th June, 1909.
- No. 21184.—Hon. C. A. Parsons, dynamo electric machine. 8th June, 1909.

#### THIRD-TERM FEES.

- No. 14991.—The Victorian Forage Pressing Company Proprietary, Limited, forage-press. (J. Ferrier.) 8th June, 1909.
- No. 15045.—Sapon Limited, detergent. (G. Bamberg.) 2nd June, 1909.
- No. 15148.—J. Cowan, water-tube boiler. 8th June, 1909.
- No. 15150.—The Vacuum Cleaner Company, Limited, dust-extraction. (H. C. Booth.) 2nd June, 1909.



**Subsequent Proprietors of Letters Patent registered.**

[NOTE.—The name of the former proprietor is given in brackets; the date is that of registration.]

**N**O. 14058.—Mary Anne Robertson, of Nightingale Street, Wyndham, Otago, New Zealand, Dressmaker. Registered as proprietor for certain districts in Otago. Dress-cutting chart. [E. Langer.] 8th June, 1909.

No. 18050.—International Salt Company, Limited, of 6 Laurence Pountney Hill, Cannon Street, London, England, Manufacturers. Manufacture of salt. [H. Tee.] 14th June, 1909.

The Silent Writing Machine Company, a corporation duly organized and existing under the laws of the State of New York, and having a place of business at 801 White Building, in the City of Buffalo, County of Erie, and State of New York, United States of America:—

No. 23382.—Typewriter. [C. W. Sponsel.]

No. 23383.—Typewriter. [W. P. Kidder.]

No. 23384.—Typewriter. [W. P. Kidder and C. W. Sponsel.]

No. 23385.—Typewriter. [W. P. Kidder and C. W. Sponsel.]

No. 23386.—Typewriter. [W. P. Kidder and C. W. Sponsel.]

No. 23747.—Platen-shifting mechanism for typewriter. [Parker Machine Company—J. A. Ronchetti.] 8th June, 1909.

No. 23906.—Pintsch's Patent Lighting Company, Limited, of Friar's House, New Broad Street, London, E.C., England. Regulation of electric potential. [J. R. Park—Pintsch's Patent Lighting Company, Limited—O. Schaller.] 2nd June, 1909.

**Request for Correction of Clerical Error in Application for Letters Patent allowed.**

**T**HE request to correct clerical error in specification No. 25229, J. T. Hunter (advertised in Supplement to *New Zealand Gazette*, No. 38, of the 6th May, 1909), has been allowed.

**Application for Letters Patent opposed.**

**N**OTICE of opposition has been filed in the following case:—

No. 24489.—J. Blake, vacuum-tank for milking-machine. (Opposed by J. B. MacEwan and Co., Limited.)

**Applications for Letters Patent abandoned.**

**L**IST of applications, with which provisional specifications only have been filed, abandoned (*i.e.*, complete specifications not lodged) from the 1st to the 14th June, 1909, inclusive:—

- No. 24756.—T. Hallett, flax-washer.
- No. 24757.—C. Anketell, ironing-board.
- No. 24762.—F. H. James, target.
- No. 24764.—C. S. Bayley, trolley-head.
- No. 24766.—K. B. Kristensen, motor.
- No. 24768.—H. Nathan, emasculator for animals.
- No. 24769.—W. H. Blackham, hot and cold water attachment for hydrocarbon engine. (W. J. Teese.)
- No. 24773.—G. Forsyth, toaster and grill.
- No. 24774.—L. Packer, trouser-clip.
- No. 24782.—W. F. Lietz, receptacle or carrier for liquids.
- No. 24783.—J. Hardie, feed-mechanism for chaff-cutter.
- No. 24788.—A. Gillies, teat-cup.
- No. 24790.—R. Johnstone, N. Davis, and H. F. Smith, key-board musical instrument.
- No. 24791.—E. P. Crowe, boring and straining appliance.
- No. 24800.—G. D. Murchie and M. Badger, coin-freed postage-machine.

**Applications for Letters Patent void.**

**A**PPPLICATIONS for Letters Patent, with which complete specifications have been lodged, void owing to non-acceptance of such complete specifications, from the 1st to the 14th June, 1909, inclusive:—

- No. 24082.—F. W. Nicholls, moisture-testing in butter.
- No. 24086.—W. Wass and the Trades-unionists' Sheep-shear Co-operative Society, Limited, sheep-shearing machine.
- No. 24096.—R. V. Ffrench, branding apparatus.
- No. 24114.—R. A. Fonseca, self-balancing window-sash.
- No. 24117.—E. Murray, cycle-motor and other vehicle wheel.
- No. 24160.—G. M. Hunter, fencing-standard.

**Applications for Letters Patent lapsed.**

**A**PPPLICATIONS for Letters Patent lapsed, owing to Letters Patent not being sealed, from the 1st to the 14th June, 1909, inclusive:—

- No. 23793.—F. Tonke, chimney.
- No. 23798.—A. L. J. Tait, pot-cleaner.
- No. 23800.—H. M. Levinge, altazimuth instrument.
- No. 23809.—H. P. Mortensen and N. P. Nielsen, liquefying milk-froth.
- No. 23822.—H. Spear, spectacles.
- No. 23828.—J. Clegg, go-cart cover.
- No. 23834.—P. S. O'Neill, boiler tube and plates.

**Letters Patent void.**

**L**IST of Letters Patent void through non-payment of renewal fees, and through expiry of term of fourteen years, from the 1st to the 14th June, 1909, inclusive:—

**THROUGH NON-PAYMENT OF SECOND-TERM FEES.**

- No. 19156.—Darling's Patent Automatic Company, Limited, coupling or uncoupling railway-carriages, &c. (J. Darling.)
- No. 19168.—J. McNeil, staying-links of dredge-buckets.
- No. 19173.—J. and J. P. Guinness, milking-machine.
- No. 19174.—J. and J. P. Guinness, teat-cup.
- No. 19177.—F. F. Bourdil, microphone.
- No. 19183.—G. M. Nelson and R. Cleghorn, disc plough.
- No. 19187.—W. Dimock, cool-storage chamber.
- No. 19188.—J. E. Owen, forming earthenware pipes.
- No. 19193.—J. A. Walker, combined billiard and dining table.
- No. 19195.—G. Wilkinson, artificial-stone manufacture.
- No. 19196.—C. Zoeller and J. Hodge, dehorning appliance.
- No. 19198.—J. O. Galbally, hollow building-block.

**THROUGH NON-PAYMENT OF THIRD-TERM FEES.**

- No. 14571.—J. A. Secor, explosion-motor.
- No. 14583.—The Royal Bank of Australasia, Limited, steam-condenser. (C. E. Nicholas.)
- No. 14595.—R. McLean, animal-trap.
- No. 14604.—T. Ballinger, skylight.
- No. 14612.—The New Inverted Incandescent Gas-lamp Company, Limited, gas-burner. (Inverted Incandescent Gas-lamp Syndicate, Limited.—W. W. Hare.)
- No. 14620.—The British Westinghouse Electric and Manufacturing Company, Limited, electrical machine. (W. T. L. Travers.—R. Siegfried.)

**THROUGH EXPIRY OF TERM.**

Nil.

**Designs registered.**

**D**ESIGNS have been registered in the following names on the dates mentioned:—

- Nos. 480, 481, 482, and 483.—Enrique John Solano, of 4 Park Lane, London, England. Class 5. 16th February, 1909.
- No. 484.—James Thomas Hunter, of Queen's Chambers, Wellington, New Zealand. Class 1. 10th June, 1909.

**Designs expired.**

**T**HE copyright in the following designs has expired:—

- Nos. 208 and 209.—C. and A. Collings, of Auckland, New Zealand, Ironfounders. (Gates and railings).

**Applications for Trade Marks filed.**

**L**IST of applications for registration of Trade Marks filed from the 31st May to the 11th June, 1909, inclusive:—

- No. 8020.—31st May.—Solarine Gesellschaft, Berlin, Germany. Class 50.
- No. 8021.—31st May.—Armour and Co., Chicago, U.S.A. Class 42.
- Nos. 8022, 8023, and 8024.—2nd June.—Pearson and Knowles Coal and Iron Company, Limited, Warrington, Eng. Class 5.
- No. 8025.—4th June.—Vi-ro Medicine Company, Auckland, N.Z. Class 3.
- Nos. 8026, 8027, and 8028.—J. P. Hooton, Auckland, N.Z. Class 38.
- No. 8029.—4th June.—J. Kronheimer and Co., Hamburg, Germany. Class 50.

No. 8080.—8th June.—The Acetone Illuminating and Welding Company. Class 1.

No. 8081.—8th June.—Ashton and Parsons, Limited, London, Eng. Class 3.

No. 8082.—8th June.—R. V. Webster, Colombo, Ceylon. Class 42.

No. 8083.—8th June.—J. D. Carter, Limited, London, Eng. Class 39.

No. 8084.—8th June.—W. A. Hargreaves, Woodville, Australia. Class 4.

No. 8085.—9th June.—Whittome, Stevenson, and Co., Limited, Auckland, N.Z. Class 42.

Nos. 8086 and 8087.—9th June.—Commonwealth Oil Corporation, Limited, Sydney, N.S.W. Class 47.

No. 8088.—10th June.—J. Rattray and Son, Limited, Dunedin, N.Z. Class 42.

No. 8089.—10th June.—E. Ellingham and Co., Limited, Auckland, N.Z. Class 42.

No. 8040.—11th June.—H. A. Rollinson, Napier, N.Z. Class 38.

No. of application: 7999.

Date: 25th May, 1909.

TRADE MARK

The word

“VIVO.”

NAME.

ALFRED CHARLES LENNARD, of Wanganui, in the Dominion of New Zealand, Merchant.

No. of class: 42.

Description of goods: Substances used as food or as ingredients in food, such as cereals, flour, oatmeal, cornflour, bread, scones, pastry, cakes, biscuits, malt, pulses, hops, yeast, baking-powder, custard-powder, powdered gelatine, egg-powder, lard, butter, cream tartar, tartaric acid, citric acid, dripping, honey, condensed milk, tea, coffee, cocoa, chocolate, confectionery, fresh fruit, preserved fruit, canned fruit, dried fruit, preserved pine-apples, cocoanut, milk, cream, sugar, jam, marmalade, bonbons, olive-oil, salad-oil, oil-cakes, sago, essences, jellies, cheese, pepper, mustard, anchovies, vinegar, cayenne pepper, chutney, curry-powder, ketchup, pickles, sauces, condiments, unfermented bitters, chemical food, salt, egg-preserved, eggo, canned vegetables, preserved vegetables, garden produce, beer-clarifier, lime-juice, cordials, non-aerated beverages, non-alcoholic beverages, salmon, fish, preserved fish, salted fish, canned fish, dead rabbits, dead hares, dead game, dead poultry, bacon, ham, preserved meat, extract of meat, canned meat, spiced meat, ragged meat, salted meat, and frozen meat.

Applications for Registration of Trade Marks.

Patent Office,  
Wellington, 16th June, 1909.

APPLICATIONS for registration of the following Trade Marks have been received. Notice of opposition to the registration of any of these applications may be lodged at this office within two months of the date of this Gazette. Such notice must be in duplicate, and accompanied by a fee of £1.

No. of application: 7996.

Date: 21st May, 1909.

TRADE MARK.

The words

“WHA' FOR.”

NAME.

THE AGRICULTURAL AND PASTORAL FOOD COMPANY, LIMITED, of Davis Street, Wellington, in the Dominion of New Zealand, Live-stock Food Manufacturers, &c.

No. of class: 2.

Description of goods: Insecticides, antiseptics, disinfectants.

No. of application: 7998.

Date: 25th May, 1909.

TRADE MARK.

The word

“KALULU.”

NAME.

ALFRED CHARLES LENNARD, of Wanganui, in the Dominion of New Zealand, Merchant.

No. of class: 42.

Description of goods: Substances used as food or as ingredients in food, such as cereals, flour, oatmeal, cornflour, bread, scones, pastry, cakes, biscuits, malt, pulses, hops, yeast, baking-powder, custard-powder, powdered gelatine, egg-powder, lard, butter, cream tartar, tartaric acid, citric acid, dripping, honey, condensed milk, tea, coffee, cocoa, chocolate, confectionery, fresh fruit, preserved fruit, canned fruit, dried fruit, preserved pine-apples, cocoanut, milk, cream, sugar, jam, marmalade, bonbons, olive-oil, salad-oil, oil cakes, sago, essences, jellies, cheese, pepper, mustard, anchovies, vinegar, cayenne pepper, chutney, curry-powder, ketchup, pickles, sauces, condiments, unfermented bitters, chemical food, salt, egg-preserved, eggo, canned vegetables, preserved vegetables, garden produce, beer-clarifier, lime-juice, cordials, non-aerated beverages, non-alcoholic beverages, salmon, fish, preserved fish, salted fish, canned fish, dead rabbits, dead hares, dead game, dead poultry, bacon, ham, preserved meat, extract of meat, canned meat, spiced meat, ragged meat, salted meat, and frozen meat.

No. of application: 8000.

Date: 25th May, 1909.

TRADE MARK.



The essential particulars of this trade mark are the combination of devices, including the representation of a spring; and any right to the exclusive use of any added matter is disclaimed.

NAME.

ROBERT FEWELL, of Suffolk Street, Grey Lynn, near the City of Auckland, in the Dominion of New Zealand, Saw-miller.

No. of class: 44.

Description of goods: Mineral and aerated waters, natural and artificial, including ginger-beer.

No. of application : 8007.  
Date : 25th May, 1909.

TRADE MARK.  
The word  
"DARJEEA."

NAME.  
ELLIS AND MANTON, of Stout Street, Wellington, in the Dominion of New Zealand, Merchants.

No. of class : 42.  
Description of goods : Tea.

No. of application : 8014.  
Date : 28th May, 1909.

TRADE MARK.  
The word  
"DREADNOUGHT."

NAME.  
SARGENT AND WILSON, trading as the "Dreadnought Manufacturing Company," of 107 High Street, Christchurch, in the Dominion of New Zealand, Grocers.

No. of class : 47.  
Description of goods : All goods in Class 47.

[NOTE.—Class 47 is for "Candles; common soap; detergents; illuminating, heating, or lubricating oils; matches; and starch, blue, and other preparations for laundry purposes, such as washing-powders, benzine."]

No. of application : 8015.  
Date : 28th May, 1909.

TRADE MARK.  
The word  
"ENGNOT."

NAME.  
JOSEPH SHARROCK, of Frankton Junction, Waikato, in the Dominion of New Zealand, Hairdresser and Tobacconist.

No. of class : 2.  
Description of goods : Langstone's medicated sheep-lick.

No. of application : 8019.  
Date : 31st May, 1909.

TRADE MARK.  
The words  
"TRIUMPH."  
"A CURE WITH A CONSCIENCE."  
No claim is made to the exclusive use of the word "Cure."

NAME.  
E. A. H. CLARKE, of 281 Colombo Street, Christchurch, in the Dominion of New Zealand.

No. of class : 3.  
Description of goods : Medicines for human use.

No. of application : 8020.  
Date : 31st May, 1909.

TRADE MARK.



The essential particulars of this trade mark are the device of a seal on a block of ice and the word "Seal"; and any right to the exclusive use of the added matter is disclaimed.

NAME.  
THE SOLARINE-GESELLSCHAFT, of Berlin, Germany.

No. of class : 50.  
Description of goods : Metal-polish.

No. of application : 8021.  
Date : 31st May, 1909.

TRADE MARK



The essential particular of this trade mark is the distinctive label.

NAME.  
ARMOUR AND Co., of Chicago, in the United States of America.

No. of class : 42.  
Description of goods : Substances used as food or as ingredients in food, with the exception of tea, sauce, pickles, coffee, baking-powder, and articles of same description as tea, sauce, pickles, coffee, and baking-powder.

No. of application : 8022.

Date : 2nd June, 1909.

TRADE MARK.



The applicant company claims that the said trade mark has been used by it and its predecessors in business in respect of the articles mentioned for upwards of twenty years before the 1st January, 1890.

NAME.

THE PEARSON AND KNOWLES COAL AND IRON COMPANY, LIMITED, of Warrington, England, Iron and Steel Manufacturers and Colliery Proprietors.

No. of class : 5.

Description of goods : Iron and steel in bars, hoops, sheets, plates, and rods.

No. of application : 8023.

Date : 2nd June, 1909.

TRADE MARK.



The applicant company claims that the said trade mark has been used by it and its predecessors in business in respect of the articles mentioned for upwards of twenty years before the 1st January, 1890.

NAME.

THE PEARSON AND KNOWLES COAL AND IRON COMPANY, LIMITED, of Warrington, England, Iron and Steel Manufacturers and Colliery Proprietors.

No. of class : 5.

Description of goods : Iron and steel in bars, hoops, sheets, plates, and rods.

No. of application : 8024.

Date : 2nd June, 1909.

TRADE MARK.



The applicant company claims that the said trade mark has been used by it and its predecessors in business in respect of the articles mentioned for upwards of twenty years before the 1st January, 1890.

NAME.

THE PEARSON AND KNOWLES COAL AND IRON COMPANY, LIMITED, of Warrington, England, Iron and Steel Manufacturers and Colliery Proprietors.

No. of class : 5.

Description of goods : Iron and steel in bars, hoops, sheets, plates, and rods.

No. of application : 8025.

Date : 4th June, 1909.

TRADE MARK.

The word

"VI-RO."

NAME.

VI-RO MEDICINE COMPANY, of 173 Hobson Street, Auckland, in the Dominion of New Zealand.

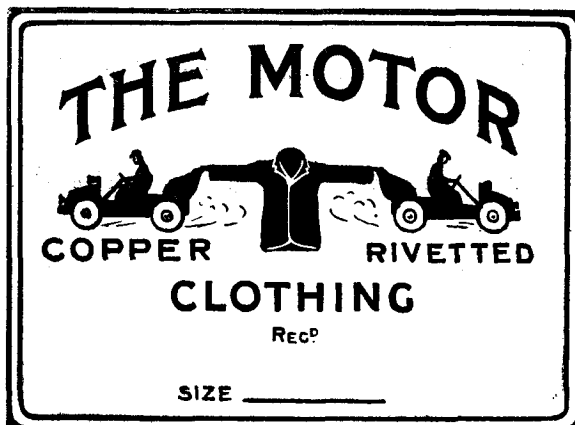
No. of class : 3.

Description of goods : Medicines.

No. of application : 8026.

Date : 4th June, 1909.

TRADE MARK.



The essential particulars of this trade mark are the device with a representation of two motors pulling in opposite directions a coat suspended between, and the word "Motor"; and any right to the exclusive use of the added matter is disclaimed.

NAME.

JOHN PETER HOOTON, of the City of Auckland, in the Dominion of New Zealand, Warehouseman and Silk Importer.

No. of class : 38.

Description of goods : Riveted clothing.

No. of application: 8027.  
Date: 4th June, 1909.

TRADE MARK.



The essential particulars of this trade mark are the device with representation of a kiwi and the word "Kiwi"; and any right to the exclusive use of the added matter is disclaimed.

NAME.

JOHN PETER HOOTON, of the City of Auckland, in the Dominion of New Zealand, Warehouseman and Silk Importer.

No. of class: 38.  
Description of goods: Riveted clothing.

No. of application: 8033.  
Date: 8th June, 1909.

TRADE MARK.

The word  
"REVOL."

NAME.

JAMES D. CARTER, LIMITED, whose registered office is Dartmouth Road, Victoria Docks, London E., England, Manufacturers.

No. of class: 39.  
Description of goods: Duplicator, wax stencil papers, duplicator inks, and impression paper.

No. of application: 8034.  
Date: 8th June, 1909.

TRADE MARK.

The word  
"KALIPSITE."

NAME.

WILLIAM ARTHUR HARGREAVES, of Russell Street, Woodville, near Adelaide, in the State of South Australia, Commonwealth of Australia, Analyst.

No. of class: 5.  
Description of goods: Mixtures of metallic oxides and aluminium or metalliferous ores and aluminium with or without other metallic or metalliferous additions.

Trade Marks registered.

LIST of Trade Marks registered from the 1st to the 14th June, 1909, inclusive:—

- No. 6185/7688.—Laxo Tonic Pill Company. Class 3. (*Gazette* No. 94, of the 26th November, 1908.)
- No. 6186/7819.—J. Nathan and Co., Limited. Class 45. (*Gazette* No. 21, of the 11th March, 1909.)
- No. 6187/7852.—G. F. Simpson. Class 42. (*Gazette* No. 21, of the 11th March, 1909.)
- No. 6188/7690.—J. H. Andrew and Co., Limited. Class 6. (*Gazette* No. 100, of the 10th December, 1908.)
- No. 6189/7691.—J. H. Andrew and Co., Limited. Class 12. (*Gazette* No. 100, of the 10th December, 1908.)
- No. 6190/7692.—J. H. Andrew and Co., Limited. Class 13. (*Gazette* No. 100, of the 10th December, 1908.)
- No. 6191/7693.—J. H. Andrew and Co., Limited. Class 6. (*Gazette* No. 100, of the 10th December, 1908.)
- No. 6192/7694.—J. H. Andrew and Co., Limited. Class 12. (*Gazette* No. 100, of the 10th December, 1908.)
- No. 6193/7695.—J. H. Andrew and Co., Limited. Class 13. (*Gazette* No. 100, of the 10th December, 1908.)
- No. 6194/7782.—H. and G. Klotz and Cie. Class 48. (*Gazette* No. 7, of the 28th January, 1909.)
- No. 6195/7783.—Eagle Pencil Company. Class 39. (*Gazette* No. 7, of the 28th January, 1909.)
- No. 6196/7831.—J. Lysaght, Limited. Class 5. (*Gazette* No. 16, of the 25th February, 1909.)
- No. 6197/7853.—J. J. Niven and Co., Limited. Class 6. (*Gazette* No. 21, of the 11th March, 1909.)
- No. 6198/7885.—The Robertson Electric Lamps, Limited. Class 8. (*Gazette* No. 24, of the 25th March, 1909.)
- No. 6199/7886.—The General Electric Company, Limited. Class 6. (*Gazette* No. 24, of the 25th March, 1909.)
- No. 6200/7887.—The General Electric Company, Limited. Class 13. (*Gazette* No. 24, of the 25th March, 1909.)
- No. 6201/7888.—The Wolfram (Tungsten) Metal Filament Lamps, Limited. Class 8. (*Gazette* No. 24, of the 25th March, 1909.)
- No. 6202/7904.—J. H. Gunson. Class 46. (*Gazette* No. 30, of the 8th April, 1909.)
- No. 6203/7903.—L. Rose and Co., Limited. Class 42. (*Gazette* No. 30, of the 8th April, 1909.)
- No. 6204/7648.—Bristol, Myers, and Co. Class 3. (*Gazette* No. 94, of the 26th November, 1908.)
- No. 6205/7873.—Dr. R. Lynch. Class 2. (*Gazette* No. 24, of the 25th March, 1909.)
- No. 6206/7865.—R. S. Cook. Class 3. (*Gazette* No. 24, of the 25th March, 1909.)
- No. 6207/7373.—G. G. Cripps. Class 42. (*Gazette* No. 4, of the 14th January, 1909.)
- No. 6208/7884.—Aitchison, Steans, and Co. Class 12. (*Gazette* No. 24, of the 25th March, 1909.)
- No. 6209/7380.—Cycle and Motor Supplies, Limited. Class 47. (*Gazette* No. 54, of the 9th July, 1908.)
- No. 6210/7417.—Actien gesellschaft der Eisen-und Stahlwerke, vorm Georg Fischer. Class 13. (*Gazette* No. 89, of the 29th October, 1908.)
- No. 6211/7419.—Escoffier (1907), Limited. Class 42. (*Gazette* No. 85, of the 29th October, 1908.)
- No. 6212/7444.—Royds Bros. and Kirk, Limited. Class 42. (*Gazette* No. 85, of the 29th October, 1908.)
- No. 6213/7446.—Royds Bros. and Kirk, Limited. Class 42. (*Gazette* No. 85, of the 29th October, 1908.)
- No. 6214/7550.—The Leather-cloth Company, Limited. Class 36. (*Gazette* No. 75, of the 1st October, 1908.)
- No. 6215/7551.—The Leather-cloth Company, Limited. Class 36. (*Gazette* No. 75, of the 1st October, 1908.)
- No. 6216/7552.—The Leather-cloth Company, Limited. Class 36. (*Gazette* No. 75, of the 1st October, 1908.)
- No. 6217/7553.—The Leather-cloth Company, Limited. Class 36. (*Gazette* No. 75, of the 1st October, 1908.)
- No. 6218/7554.—Shaw and Wood. Class 42. (*Gazette* 75, of the 1st October, 1908.)
- No. 6219/7585.—P. Dick. Class 13. (*Gazette* No. 79, of the 15th October, 1908.)
- No. 6220/7600.—T. R. Ellin. Class 5. (*Gazette* No. 79, of the 15th October, 1908.)
- No. 6221/7601.—T. R. Ellin. Class 12. (*Gazette* No. 79, of the 15th October, 1908.)
- No. 6222/7602.—T. R. Ellin. Class 13. (*Gazette* No. 79, of the 15th October, 1908.)
- No. 6223/7603.—T. R. Ellin. Class 5. (*Gazette* No. 79, of the 15th October, 1908.)
- No. 6224/7604.—T. R. Ellin. Class 12. (*Gazette* No. 79, of the 15th October, 1908.)
- No. 6225/7605.—T. R. Ellin. Class 13. (*Gazette* No. 79, of the 15th October, 1908.)
- No. 6226/7613.—The Wouldham Cement Company, Limited. Class 17. (*Gazette* No. 85, of the 29th October, 1908.)

J. C. LEWIS,  
Registrar.

No. 6227/7617.—De Pelichet McLeod and Co. Class 42. (*Gazette* No. 85, of the 29th October, 1908.)  
 No. 6228/7642.—Hayman and Co. Class 50. (*Gazette* No. 91, of the 12th November, 1908.)  
 No. 6229/7645.—Alcock and Co. Proprietary, Limited. Class 40. (*Gazette* No. 91, of the 12th November, 1908.)  
 No. 6230/7844.—J. Rattray and Son, Limited. Class 47. (*Gazette* No. 24, of the 25th March, 1909.)

#### Subsequent Proprietors of Trade Marks registered.

[NOTE.—The name of the former proprietor is given in brackets; the date is that of application.]

NO. 622/552.—Brace, Windle, Blyth, and Company, Limited, of High Street, Dunedin, New Zealand. [C. Moore.] 5th June, 1909.

No. 682/673.—The Wanganui Dairy Company, Limited, having its registered office at Aramoho, near Wanganui, New Zealand. [W. H. Southcombe.] 2nd June, 1909.

No. 1483/1374.—Brace, Windle, Blyth, and Company, Limited, of High Street, Dunedin, New Zealand. [C. Moore.] 5th June, 1909.

No. 2552/2056.—Robert Ingham Clark and Company (Australasia), Limited, of 38 Market Street (late 280 George Street), Sydney, New South Wales, Australia. [W. Docker.] 8th June, 1909.

No. 8792/2354.—Robert Ingham Clark and Company (Australasia), Limited, of 38 Market Street (late 280 George Street), Sydney, New South Wales, Australia. [Robert Ingham Clark and Company, Limited.] 8th June, 1909.

#### Request for Correction of Clerical Error in Application for Trade Mark allowed.

THE request to correct the clerical error in application No. 7865 (advertised in Supplement to *New Zealand Gazette*, No. 30, of the 8th April, 1909) has been allowed.

#### Trade Mark Renewal Fees paid.

FEES paid for the renewal of the undermentioned Trade Marks for fourteen years from the date first mentioned:—

Nos. 1432/1147 and 1433/1148.—23rd May, 1909.—Hance Brothers and White, of Philadelphia, U.S.A. Class 3. 8th June, 1909.

No. 1445/1221.—14th June, 1909.—W. Wright, of Dunedin, N.Z. Class 42. 14th June, 1909.

No. 1446/1206.—14th June, 1909.—Wright, Stephenson, and Co. Class 2. 14th June, 1909.

#### Application for Trade Mark opposed.

NO. 7905.—C. J. Carroll, G. R. Hall, and A. Griffith, trading as Australian Milk Ferment Proprietary. (Opposed by La Société Anonyme le Ferment.)

#### Trade Marks removed from the Register.

TRADE Marks removed from the Register owing to the non-payment of the renewal fee, from the 1st to the 14th June, 1909, inclusive:—

No. 1405/1086.—2nd March, 1895.—W. Paterson, of Whity Falls, near Jarrahdale, Western Australia. Class 3.

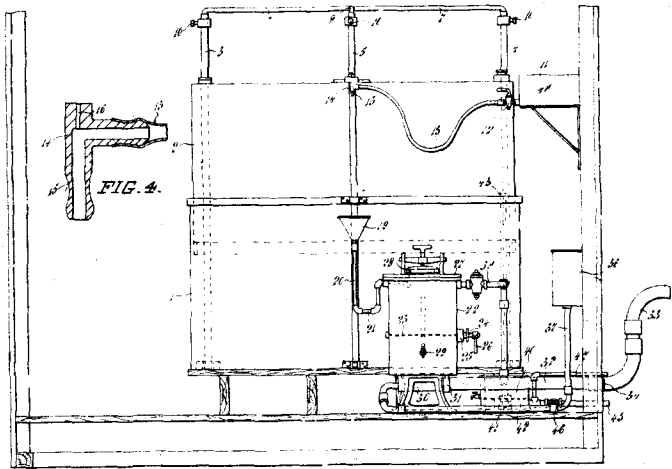
No. 1413/1173.—12th March, 1895.—Simpson and Co., Limited, of London, England. Class 42.

No. 1412/1163.—12th March, 1895.—A. Clark, trading as A. G. Wilson and Co., London and Glasgow. Class 43.

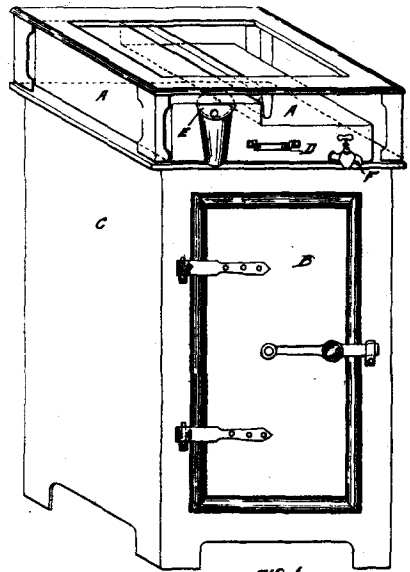
By Authority: JOHN MACKAY, Government Printer, Wellington.

# ILLUSTRATIONS OF INVENTIONS.

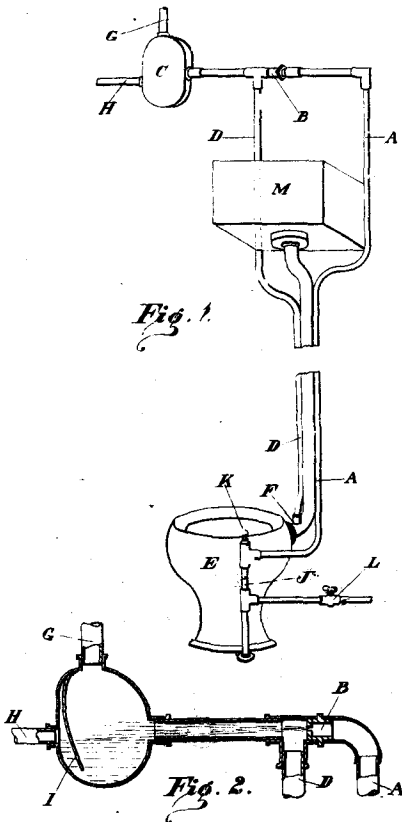
[These illustrations refer to the complete specifications accepted, and advertised in this Gazette.]



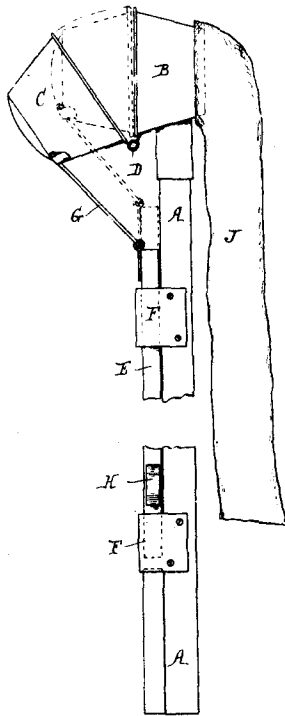
24677 Ritchie and Bone. Acetylene-generator.



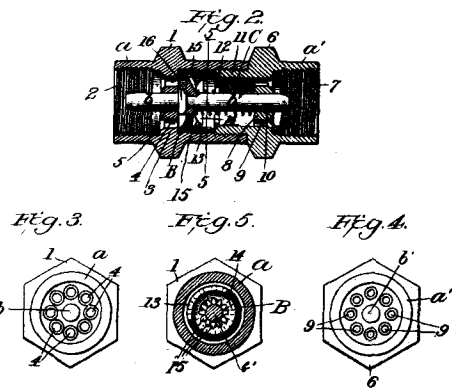
25124 O'Brien. Boiler.



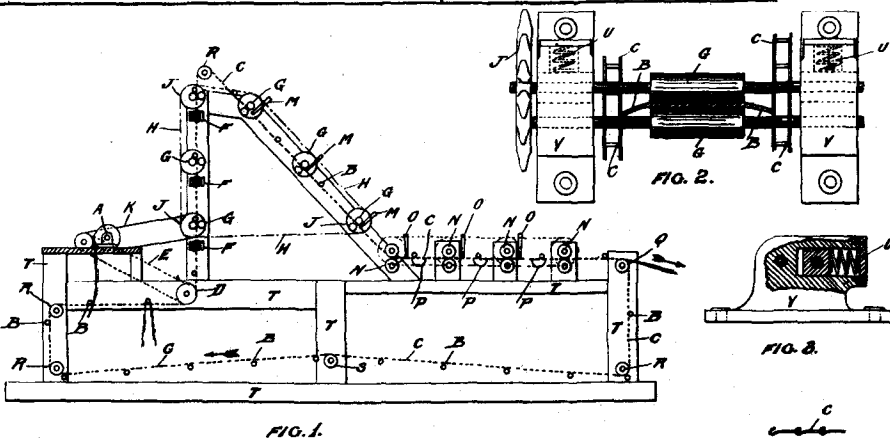
25211 Kannluik. Urinal-disinfector.



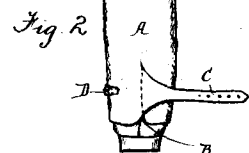
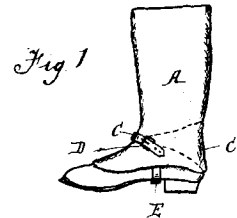
25592 Wilton. Fruit-picker.



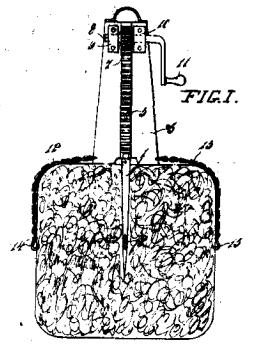
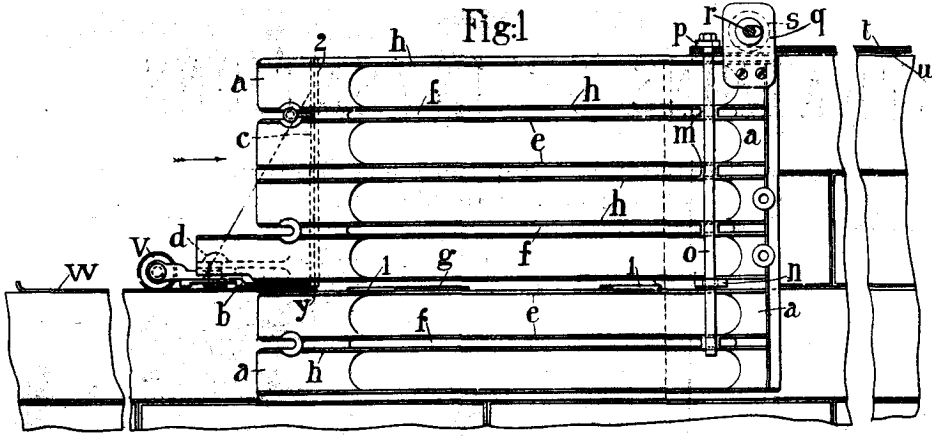
25898 Beckman. Fluid-pressure Regulator.



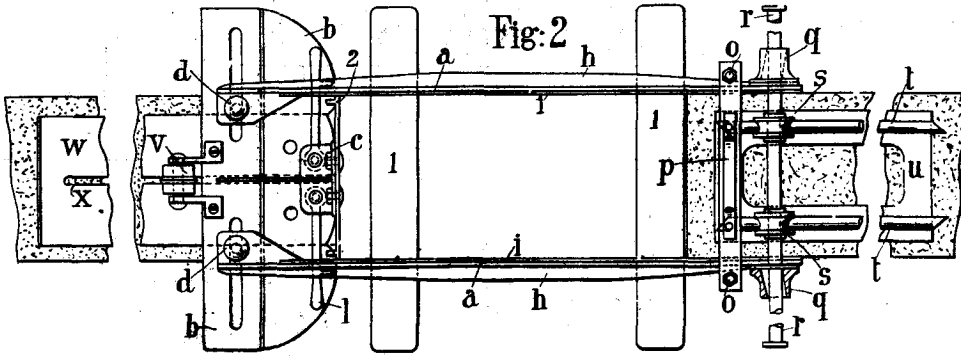
25958 Walker. Flax-dresser.



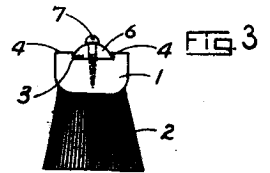
25922 Deck. Leggings



25990 Barnes. Baled-goods Tester.



25665 Bowen. Concrete Wall.



25974 Akhurst. Brush.

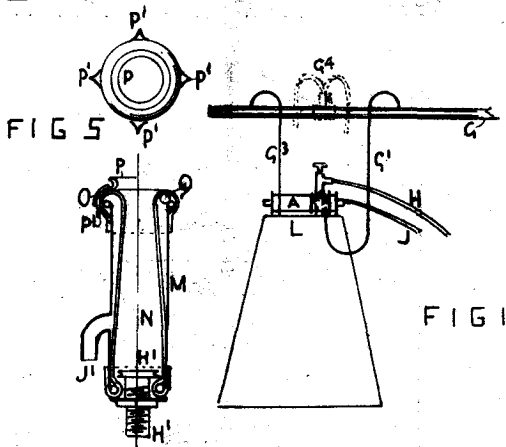
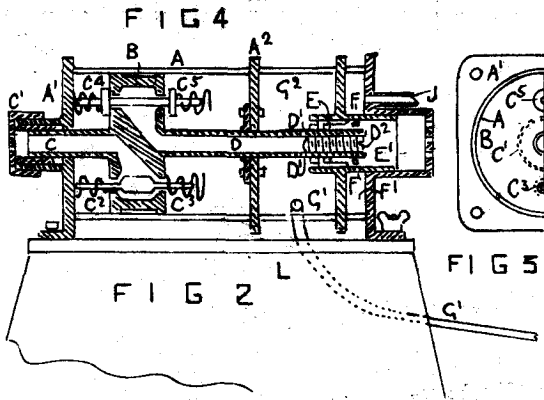


FIG 1



25899 Storrie. Milking-machine.

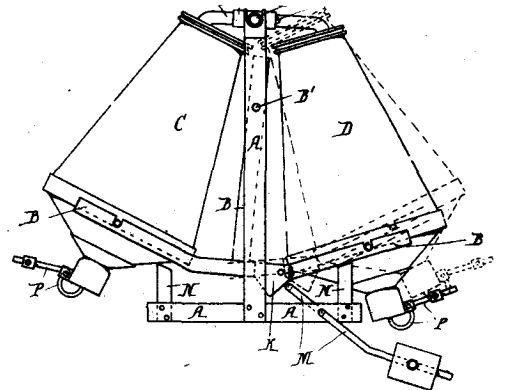


FIG 2

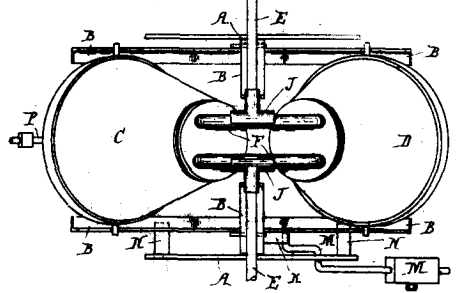


FIG. 3

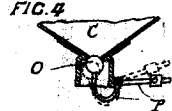


FIG. 4

24886 Gane. Milking-machine.

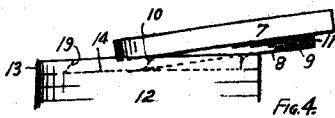


FIG. 4

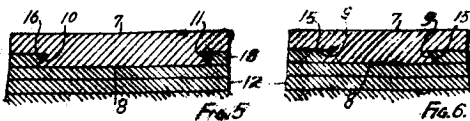
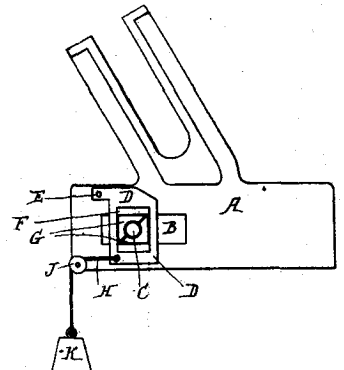


FIG. 5

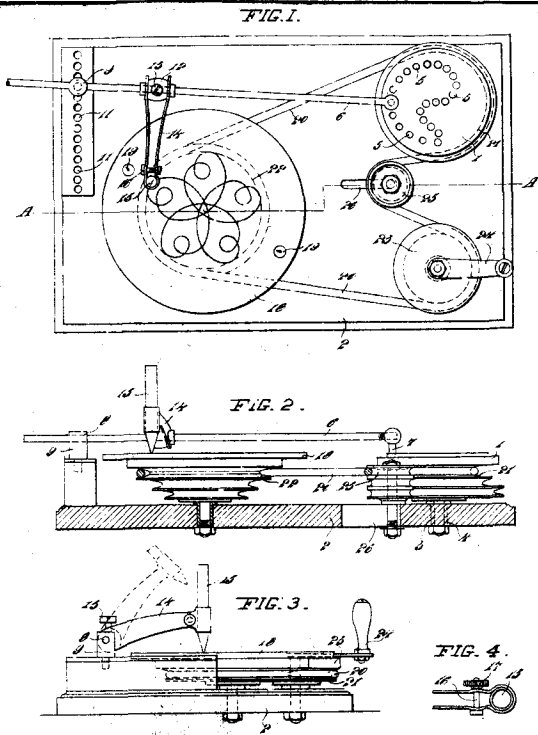
FIG. 6

25977 Fenton. Boot-heel.

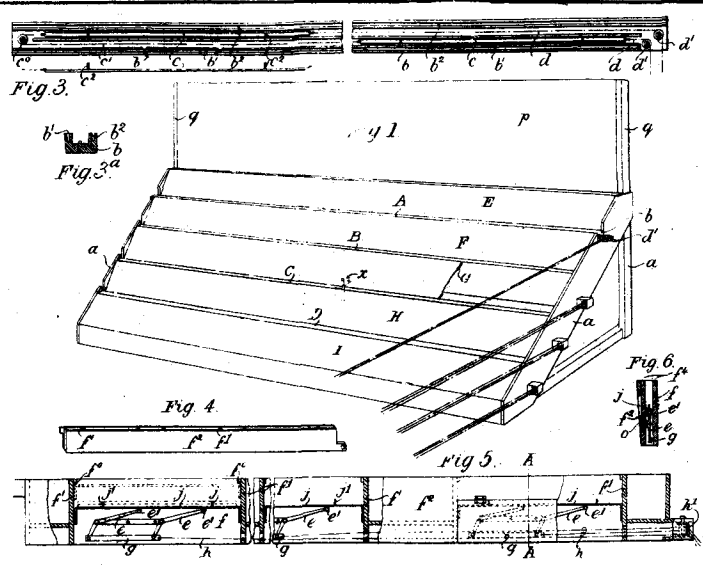


25886 Nicholson. Flax-dresser.

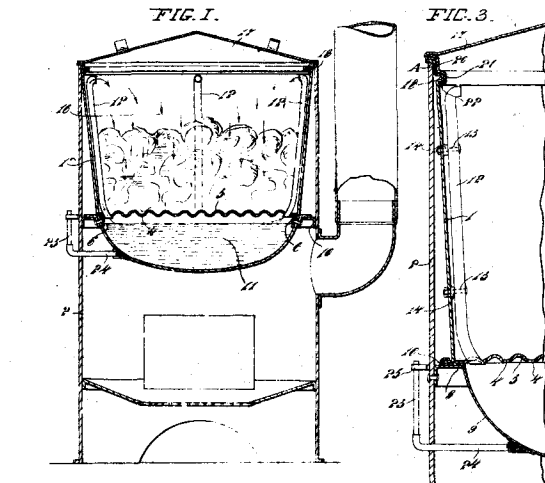




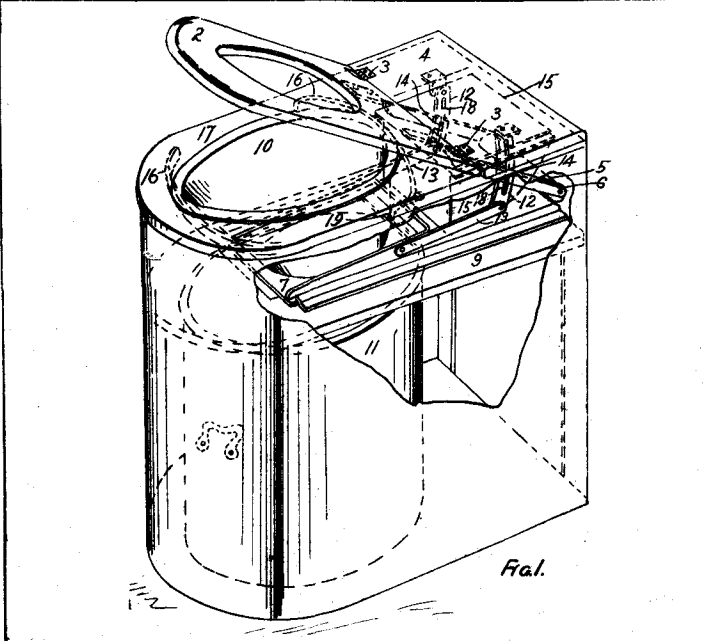
25982 Andrews and Wilkin. Geometrical Instrument.



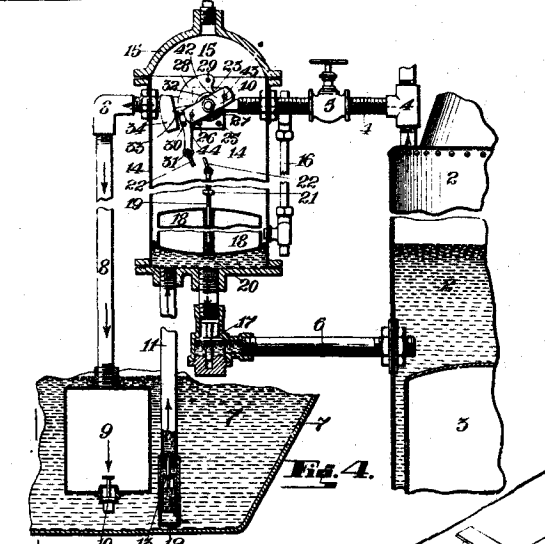
25975 Solano. Target.



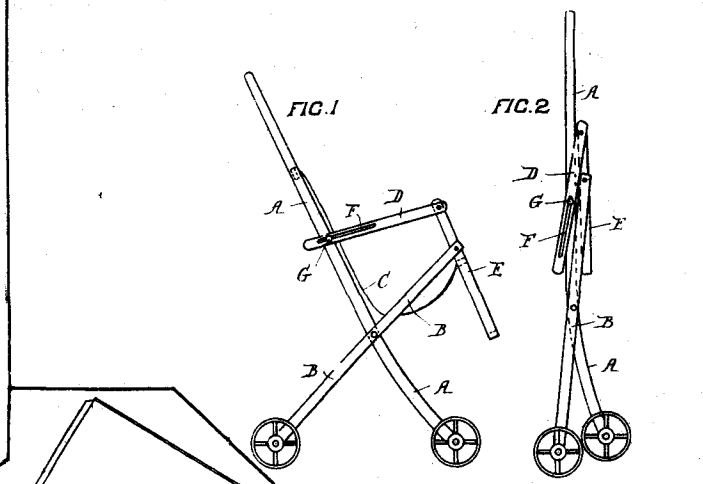
25981 Parton. Clothes-cleaner.



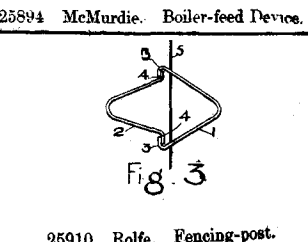
25960 Syvret. Closet.



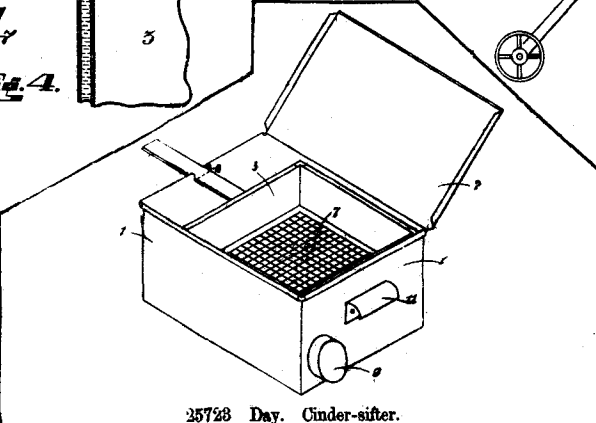
25894 McMurdie. Boiler-feed Device.



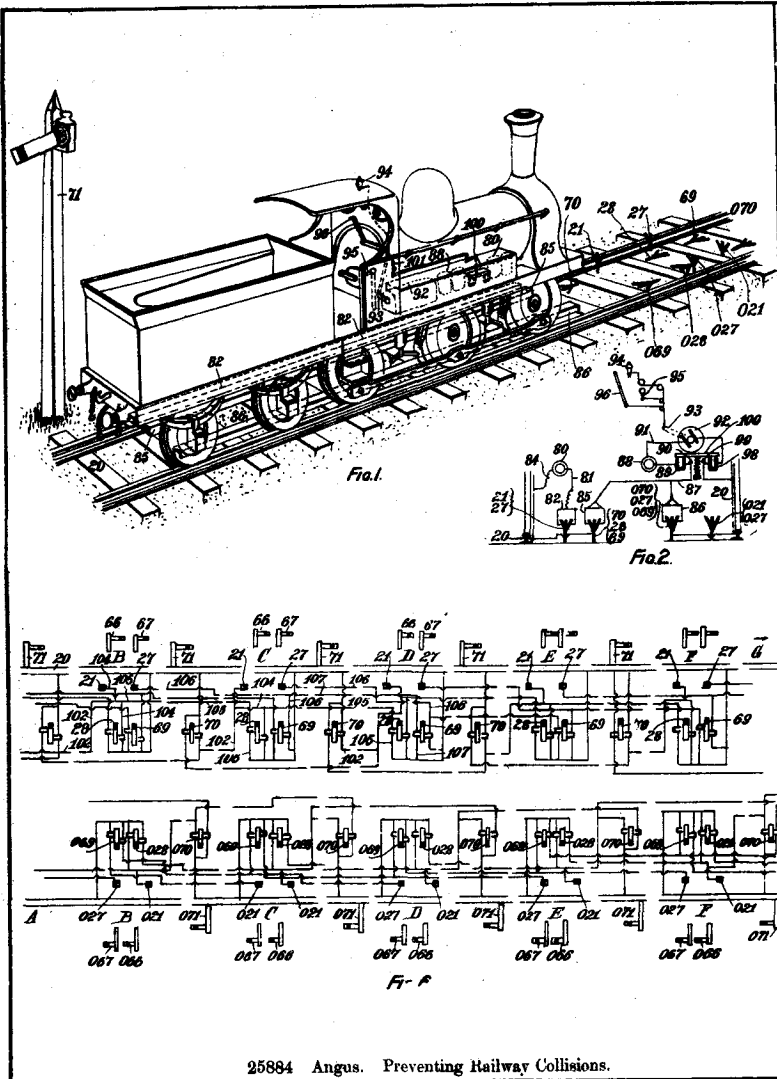
25842 Broadbent. Folding Chair.



25910 Rolfe. Fencing-post.



25728 Day. Cinder-sifter.



25884 Angus. Preventing Railway Collisions.

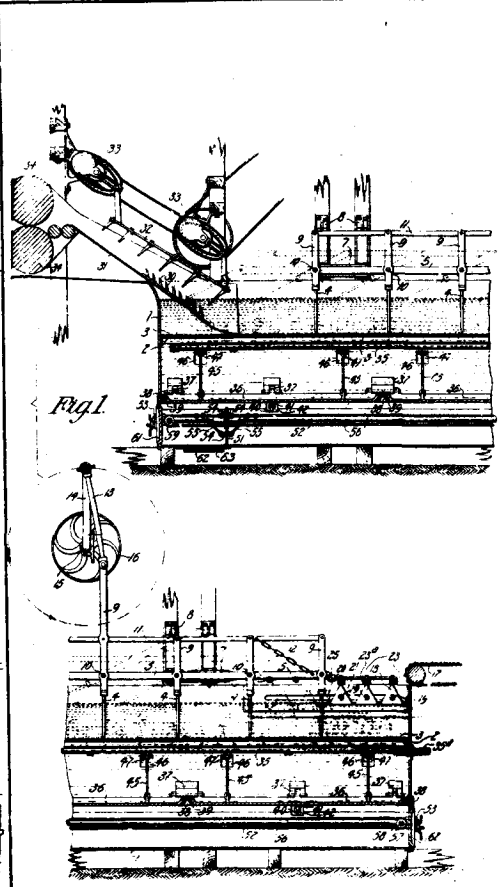


Fig. 1

Fig. 2

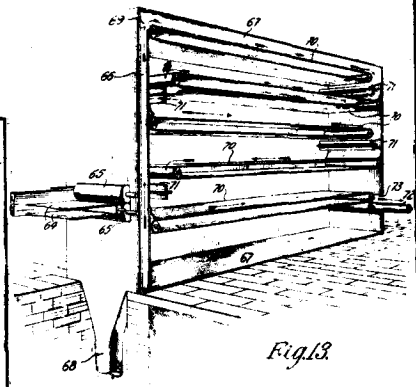


Fig. 13

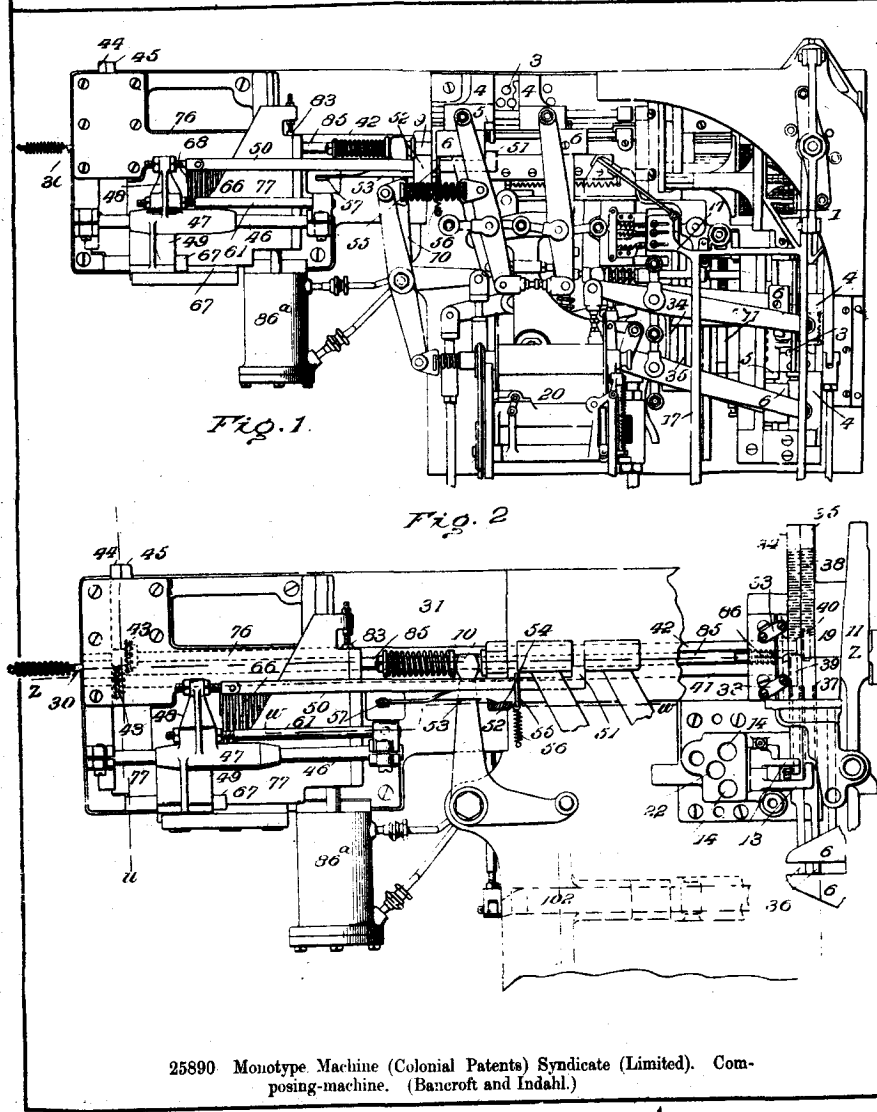


FIG. 1.

FIG. 2

Fig. 3

Fig. 4

25890 Monotype Machine (Colonial Patents) Syndicate (Limited). Composing-machine. (Baneroff and Indahl.)

25848 McDonough. Wool-scourer.